

SIEMENS



Acvatix™ **Actuators SAX.., SAL.. for valves** **Basic Documentation**

Siemens Switzerland Ltd
Industry Sector
Building Technologies Division
Gubelstrasse 22
6301 Zug
Switzerland
Tel. +41 41-724 24 24
www.siemens.com/sbt

© 2010 - 2013 Siemens Switzerland Ltd
Subject to change

Contents

1	About this documentation.....	5
1.1	Navigation / Quick access.....	5
1.2	Revision history.....	6
1.3	Reference documents.....	6
1.4	Before you start.....	6
1.4.1	Trademarks.....	6
1.4.2	Copyright.....	6
1.4.3	Quality assurance.....	7
1.4.4	Document use / request to the reader.....	7
1.5	Scope of this documentation.....	7
2	Engineering.....	8
2.1	Product description.....	8
2.2	Use.....	8
2.3	Type summary.....	9
2.3.1	Stroke actuators.....	9
2.3.2	Stroke actuators – combi valves.....	9
2.3.3	Rotary actuators.....	9
2.4	Ordering.....	9
2.5	Equipment combinations.....	10
2.5.1	Stroke actuators – 3-port valves.....	10
2.5.2	Stroke actuators – 2-port valves.....	11
2.5.3	Stroke Actuators – combi valves.....	12
2.5.4	Rotary actuators – slipper and butterfly valves.....	12
2.6	Accessories.....	13
2.6.1	Electrical accessories.....	13
2.6.2	Mechanical accessories.....	13
2.7	Product replacements.....	14
2.7.1	Stroke actuators SQX.. to SAX.....	14
2.7.2	Rotary actuators SQL.. to SAL.....	14
2.7.3	Electrical accessories.....	15
2.8	Spare parts.....	16
2.9	Sizing.....	17
2.9.1	Parallel operation of actuators.....	17
2.9.2	Permissible cable lengths and wire cross-sectional areas.....	17
2.10	Warranty.....	18
3	Handling.....	19
3.1	Mounting and installation.....	19
3.1.1	Mounting positions.....	19
3.1.2	Fitting stroke actuators to seat valves VVF.. / VXF.. or VVG.. / VXG.....	19
3.1.3	Avoid misalignment on V_G41 valves with fittings.....	20
3.1.4	Fitting rotary actuators to butterfly valves VKF41.....	21
3.1.5	Fitting rotary actuators to slipper valves VBF21.....	23
3.1.6	Fitting rotary actuators to butterfly valves VKF45.....	24
3.1.7	Accessories.....	26
3.1.8	Wiring (installation).....	31
3.2	Commissioning and operation.....	33
3.2.1	Function check and Calibration.....	33
3.2.2	Maintenance.....	36

3.2.3	Disposal	36
4	Functions and control	37
4.1	3-position control	37
4.1.1	Combination with RVD.. controller for direct domestic hot water distribution by heat exchanger	38
4.2	Modulating control	40
4.3	Function module AZX61.1	41
4.3.1	Sequence control (signal adaptation)	41
4.3.2	Changeover of acting direction	42
4.4	Positioning signal and flow characteristic	43
4.5	Acting direction and flow characteristic	44
4.6	Position Feedback U	44
4.7	Position control with ClosedPosition Synchronisation	45
4.7.1	ClosedPosition-Synchronisation	45
4.8	Calibration	46
4.9	Signal priorities	47
4.10	Detection of valve seat	47
4.11	Detection of foreign bodies	48
4.12	Forced control Z	49
4.13	Technical and mechanical design	50
4.13.1	Transmission of power	50
4.13.2	Coupling	51
4.13.3	Manual adjuster	51
4.13.4	Indicators	52
4.13.5	Electrical accessories	53
4.13.6	Mechanical accessories	54
5	Technical data	55
6	Connection diagrams and dimensions	57
6.1	Internal diagrams	57
6.2	Connection terminals	58
6.2.1	Actuators	58
6.2.2	Electrical accessories	58
6.3	Connection diagrams	59
6.4	Dimensions	60
6.4.1	Stroke actuators	60
6.4.2	Rotary actuators	61
7	Revision numbers	62
8	Glossary	63
8.1	Symbols	63
8.2	Terms	63
Index	64	

1 About this documentation

1.1 Navigation / Quick access

Information about a specific actuator is provided throughout the document. The structure of chapters 2 to 4 is as follows:

2 Engineering	device oriented
2.1 Product description	
2.2 Use	
3 Handling	handling oriented
3.1 Mounting and installation	
3.2 Commissioning and operation	
4 Functions and Control	assembly oriented
4.1 3-position control	
4.2 Modulating control	

4040Z28en

Quick access to important information including reference to pages:

Product no.	2 Engineering		3 Handling		4 Function and control		
	Equipment combinations	Accessories	Calibration	Accessories (mounting)	Control	Calibration	Accessories
SAX31.00	Page 10	Page 13	-	Page 26-31	Page 37-38	-	Page 53
SAX31.03							
SAX61.03 ¹⁾			Page 33		Page 40	Page 44	
SAX81.00 ¹⁾							
SAX81.03 ¹⁾					Page 37-38		
SAL31.00T10	Page 10	Page 13	-	Page 26-31	Page 37-38	-	Page 53
SAL31.00T20							
SAL31.00T40							
SAL31.03T10							
SAL61.00T10 ¹⁾			Page 33		Page 40	Page 44	
SAL61.00T20 ¹⁾							
SAL61.00T40 ¹⁾							
SAL61.03T10 ¹⁾							
SAL81.00T10 ¹⁾							
SAL81.00T20 ¹⁾							
SAL81.00T40 ¹⁾					Page 37-38		
SAL81.03T10 ¹⁾							

¹⁾ These types of actuator are UL-listed versions

Note

Glossary and Index are arranged at the end of the document.

1.2 Revision history

Revision	Date	Changes	Chapter
First edition	16.07.2010	-	-
2.0	2010-12-12	Rotary actuator SAL..T10 integrated	
		Mounting and installation of butterfly valves and slipper valves corrected and expanded	3.1
		New chapter „Position feedback U“	4.6
		Technical data corrected	5
2.1	2011-09-14	V..F53.. valves added	2.5
		SAL.T20 rotary actuators added	1.1, 1.2, 2.3, 2.4, 2.5, 2.6, 3, 3.1, 4.12, 5, 7
3	2013-09-12	Corrections regarding SAX..Series „G“ “ VVF53.50-40K valve added	2.4, 4.1, 4.7, 4.13, 5, 6.4
3.1	2013-12-17	SAL..T40 is added	...

1.3 Reference documents

Type of document	SAX..	SAL..	
Data Sheet	N4501, N4509, Q4501	N4502	
Mounting Instructions	-	ASK31N: M4502.1 ASK33N: M4502.2 ASK35N: M4502.3	
	ASC.: M4040.1 ASZ7.5/..: M4040.2 AZX61..: M4040.3 ASK39..: M4040.3		
	ASZ6.6: M4501.1	-	
CE Declaration of Conformity	AC 230 V	T4501X1	T4502X1
	AC/DC 24 V	T4501X2	T4502X2
Environmental Declaration	E4501	E4502	

1.4 Before you start

1.4.1 Trademarks

The table below lists the third-party trademarks used in this document and their legal owners. The use of trademarks is subject to international and domestic provisions of the law.

Trademarks	Legal owner
Acvatix™	Siemens Switzerland Ltd

All product names listed in the table are registered (®) or not registered (™) trademarks of the owner listed in the table. We forgo the labeling (e.g. using the symbols ® and ™) of trademarks for the purposes of legibility based on the reference in this section.

1.4.2 Copyright

This document may be duplicated and distributed only with the express permission of Siemens, and may be passed on only to authorized persons or companies with the required technical knowledge.

1.4.3 Quality assurance

These documents were prepared with great care.

- The contents of all documents are checked at regular intervals
- All necessary corrections are included in subsequent versions
- Anpassungen bzw. Documents are automatically amended as a consequence of modifications and corrections to the products described

Please make sure that you are aware of the latest document revision date.

If you find lack of clarity while using this document, or if you have any criticisms or suggestions, please contact the product manager in your nearest branch office.

The addresses of the Siemens regional companies are available at www.siemens.com/acvatix.

1.4.4 Document use / request to the reader

Before using our products, it is important that you read the documents supplied with or ordered at the same time as the products (equipment, applications, tools etc.) carefully and in full.

We assume that persons using our products and documents are authorized and trained appropriately and have the technical knowledge required to use our products as intended.

More information on the products and applications is available:

- On the intranet (Siemens employees only) at <https://workspace.sbt.siemens.com/content/00001123/default.aspx>.
- From the Siemens branch office near you www.siemens.com/acvatix or from your system supplier.
- From the support team at headquarters fieldsupport-zug.ch.sbt@siemens.com if there is no local point of contact.

Siemens assumes no liability to the extent allowed under the law for any losses resulting from a failure to comply with the aforementioned points or for the improper compliance of the same.

1.5 Scope of this documentation

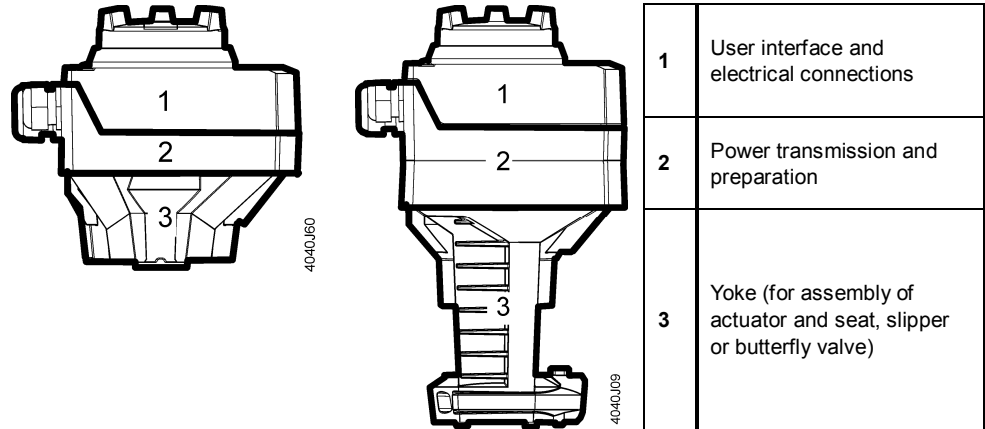
This document shall serve as a source of knowledge. In addition to basic information, it provides general technical information about the actuators used in HVAC plants. It is also targeted at engineering staff, HVAC electrical planners, system integrators and service engineers and provides all information required for planning work, correct installation, commissioning and service.

2 Engineering

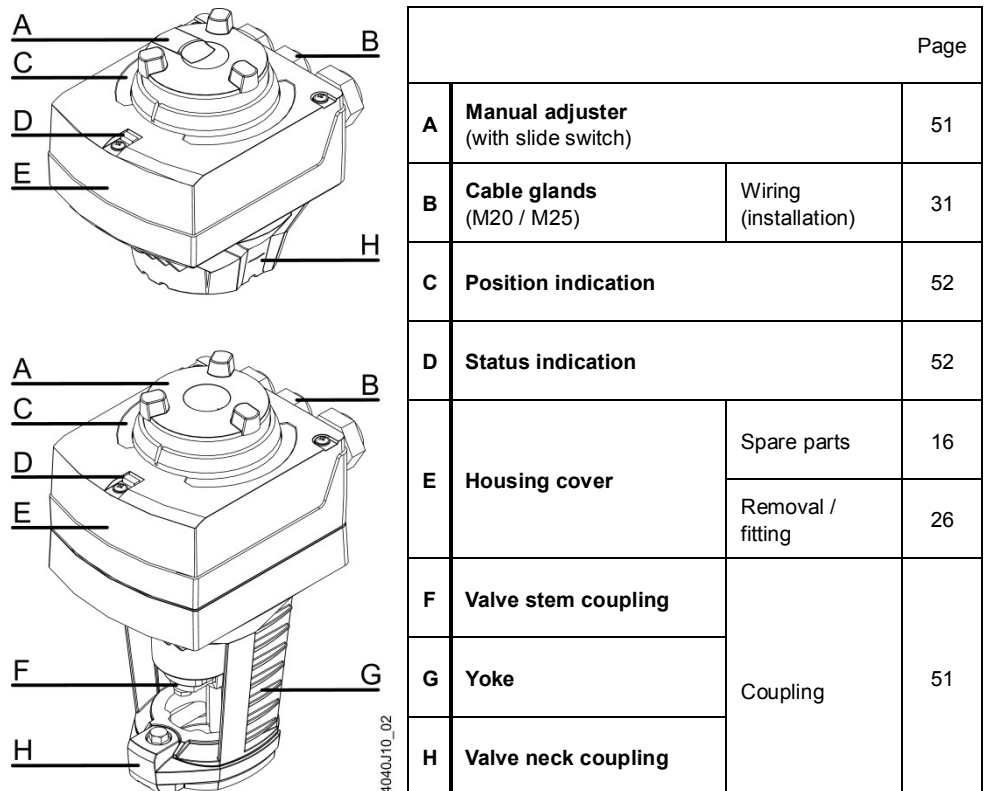
2.1 Product description

The line of large actuators is comprised of stroke actuators SAX.. and rotary actuators SAL...

Mechanical design



Components



2.2 Use

SAX..

For use in connection with Siemens 2-port or 3-port valves with 20 mm stroke, as control or shutoff valves for HVAC plants.

SAL..

For use in connection with Siemens butterfly or slipper valves, as control or shutoff valves for HVAC plants.

Note

When using the actuators outdoors, weather shield ASK39.1 must be fitted.

2.3 Type summary

2.3.1 Stroke actuators

Product no.	Stock no.	Stroke	Pos. force	Operating voltage	Positioning signal	Spr. ret. time	Pos. time	LED	Manual adjuster	Extra functions	
SAX31.00	S55150-A105	20 mm	800 N	AC 230 V	3-position	-	120 s	-	Push and fix	-	
SAX31.03	S55150-A106			AC/DC 24 V	DC 0...10 V DC 4...20 mA 0...1000 Ω		3-position	30 s		✓	Position feedback, forced control, change of characteristic
SAX61.03 SAX61.03U	S55150-A100 S55150-A100-A100							120 s		-	-
SAX81.00 SAX81.00U	S55150-A102 S55150-A102-A100							30 s		-	-
SAX81.03 SAX81.03U	S55150-A103 S55150-A103-A100							30 s		-	-

2.3.2 Stroke actuators – combi valves

Product no.	Stock no.	Stroke	Pos. force	Operating voltage	Positioning signal	Spr. ret. time	Pos. time	LED	Manual adjuster	Extra functions	
SAX31P03	S55150-A118	20 mm	500 N	AC 230 V	3-position	-	30 s	-	-	-	
SAX61P03	S55150-A114			AC/DC 24 V	DC 0...10 V DC 4...20 mA 0...1000 Ω			3-position		✓	Position feedback, forced control, change of characteristic
SAX81P03	S55150-A116									3-position	-

2.3.3 Rotary actuators

Product no.	Stock no.	Angular rotation	Torque	Operating voltage	Positioning signal	Positioning time	LED	Manual adjuster	Extra functions
SAL31.00T10	S55162-A108	90°	10 Nm	AC 230 V	3-position	120 s	-	Push and fix	-
SAL31.00T20	S55162-A110		20 Nm						
SAL31.00T40	S55162-A111		40 Nm						
SAL31.03T10	S55162-A109		10 Nm	AC/DC 24 V	DC 0...10 V DC 4...20 mA 0...1000 Ω	120 s	✓	Push and fix	Position feedback, forced control
SAL61.00T10	S55162-A100		20 Nm						
SAL61.00T20	S55162-A102		40 Nm						
SAL61.00T40	S55162-A103		10 Nm						
SAL61.03T10	S55162-A101		20 Nm						
SAL61.03T20	S55162-A104		40 Nm						
SAL81.00T10	S55162-A104		10 Nm	3-position	120 s	-	-	-	
SAL81.00T20	S55162-A106		20 Nm						
SAL81.00T40	S55162-A107		40 Nm						
SAL81.03T10	S55162-A105		10 Nm						30 s

2.4 Ordering

Example

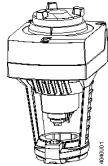






Product no.	Stock no.	Description	Quantity
SAX81.03	S55150-A103	Actuator	1
ASZ7.5/1000	S55845-Z106	Potentiometer	1

Delivery

Actuators, valves and accessories are supplied in individual packs.

2.5 Equipment combinations

2.5.1 Stroke actuators – 3-port valves

Typical applications	Stroke actuators	Data Sheet	Stroke		20 mm		
			Positioning force		800 N		
<ul style="list-style-type: none"> • Heating plants • Ventilation and air conditioning plants • Heat generation • Heat distribution • District heating plants 	SAX..	N4501					
Valves	Basic Doc. (P4030)					$\Delta p_{\max V}$ ⁵⁾	Δp_{\max}
Valves	Data Sheet	Valve type	DN	k_{vs} [m³/h]			
PN6  -10... 130 °C ⁴⁾	N4410	VXF21.22...25 ¹⁾	25	1,9 / 3 / 5 / 7,5	-	300	
		VXF21.25... ²⁾	25	2,5 / 4 / 6,3 / 10			
		VXF21.39-40	40	12 / 19			
		VXF21.40-... ²⁾	40	16 / 25			
		VXF21.50	50	31			
		VXF21.50-40	50	40			
		VXF21.65	65	49			
		VXF21.65-63	65	63			
		VXF21.80-78	80	78			
		VXF21.80-100	80	100			
PN10  -10... 130 °C ⁴⁾	N4420	VXF31.15-... ²⁾	15	2,5 / 4	-	300	
		VXF31.24...25 ¹⁾	25	5 / 7,5			
		VXF31.25-... ²⁾	25	6,3 / 10			
		VXF31.39...40 ¹⁾	40	12 / 19			
		VXF31.40-... ²⁾	40	16 / 25			
		VXF31.50	50	31			
		VXF31.50-40	50	40			
		VXF31.65	65	49			
		VXF31.65-63	65	63			
		VXF31.80	80	78			
VXF31.80-100	80	100					
PN16  -10... 130 °C ⁴⁾	N4430	VXF40.15-... ²⁾	15	1,9 / 2,5 / 3 / 4	-	300	
		VXF40.25-... ²⁾	20	5 / 6,3 / 7,5 / 10			
		VXF40.40-... ²⁾	40	12 / 16 / 19 / 25			
		VXF40.50-... ²⁾	50	31 / 40			
		VXF40.65-... ²⁾	65	49 / 63			
VXF40.80-... ²⁾	80	78 / 100					
PN16  -10... 130 °C ⁴⁾	N4440	VXF41.14...15 ¹⁾	15	1,9 / 3	-	800	
		VXF41.24...25 ¹⁾	25	5 / 7,5			
		VXF41.39...40 ¹⁾	40	12 / 19			
		VXF41.49...50 ¹⁾	50	19 / 31			
PN25/16  -20... 130 °C ⁴⁾	N4405	VXF53.15-... ²⁾	15	1,6 / 2,5 / 4	200	1'200	
		VXF53.20-6,3	20	6,3			
		VXF53.25-... ²⁾	25	6,3 / 10			
		VXF53.32-16	32	16			
		VXF53.40-... ²⁾	40	16 / 25			
VXF53.50-40	50	40					
PN16  -25... 130 °C ⁴⁾	N4463	-	VXG41.1301 ³⁾	15	1,6	-	800
		-	VXG41.1401 ³⁾	15	2,5		
		VXG41.15	VXG41.1501 ³⁾	15	4		
		VXG41.20	VXG41.2001 ³⁾	20	6,3		
		VXG41.25	VXG41.2501 ³⁾	25	10		
		VXG41.32	VXG41.3201 ³⁾	32	16		
		VXG41.40	VXG41.4001 ³⁾	40	25		
		VXG41.50	VXG41.5001 ³⁾	50	40		

1) Insert running number instead of k_{vs} value

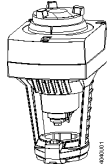







2) .. = insert k_{vs} value

3) With tight bypass; VXG41.1301 and VXG41.1401: use only SAX61..., SKD32.50 or SKD82.50.

4) For media temperatures > 130 °C use electrohydraulic actuators SKD.. (N4561), SKB.. (N4564).

5) $\Delta p_{\max V}$ = max. permissible differential pressure in diverting mode

2.5.2 Stroke actuators – 2-port valves

Typical applications	Stroke actuators	Data Sheet	Stroke		20 mm		
			Positioning force		800 N		
<ul style="list-style-type: none"> • Heating plants • Ventilation and air conditioning plants • Heat generation • Heat distribution • District heating plants 	SAX..	N4501					
Valves	Basic Doc. (P4030)						
Valves	Data Sheet	Valve type	DN	k_{vs} [m ³ /h]	Δp_s [kPa]	Δp_{max} [kPa]	
PN6  -10...130 °C ³⁾	N4310	VVF21.22...25 ¹⁾	25	1,9 / 3 / 5 / 7,5	600	300	
		VVF21.25... ²⁾	25	2,5 / 4 / 6,3 / 10			
		VVF21.39-40	40	12 / 19			
		VVF21.40... ²⁾	40	16 / 25	500		
		VVF21.50	50	31			
		VVF21.50-40	50	40	300		
		VVF21.65	65	49			
		VVF21.65-63	65	63	175		175
		VVF21.80-78	80	78	100		100
VVF21.80-100	80	100					
PN10  -10...130 °C ³⁾	N4320	VVF31.15... ²⁾	15	2,5 / 4	1'000	300	
		VVF31.24...25 ¹⁾	25	5 / 7,5			
		VVF31.25... ²⁾	25	6,3 / 10			
		VVF31.39...40 ¹⁾	40	12 / 19	525		
		VVF31.40... ²⁾	40	16 / 25			
		VVF31.50	50	31	325		
		VVF31.50-40	50	40			
		VVF31.65	65	49	175		175
		VVF31.65-63	65	63			
		VVF31.80	80	78	100		100
VVF31.80-100	80	100					
PN16  -10...130 °C ³⁾	N4330	VVF40.15... ²⁾	15	1,9 / 2,5 / 3 / 4	1'600	300	
		VVF40.25... ²⁾	20	5 / 6,3 / 7,5 / 10	1'550		
		VVF40.40... ²⁾	40	12 / 16 / 19 / 25	525		
		VVF40.50... ²⁾	50	31 / 40	325		
		VVF40.65... ²⁾	65	49 / 63	175		175
		VVF40.80... ²⁾	80	78 / 100	100		100
PN16  -10...130 °C ³⁾	N4340	VVF41.49	50	19	350	300	
		VVF41.50	50	31			
PN25  -20...130 °C ³⁾	N4373	VVF52.15... ²⁾	15	0,16 / 0,2 / 0,25 / 0,32 / 0,4 / 0,5	2'500	1'600	
		VVF52.15... ²⁾	15	0,63 / 0,8 / 1 / 1,25 / 1,6 / 2			
		VVF52.15... ²⁾	15	2,5 / 3,2 / 4			
		VVF52.25... ²⁾	25	5 / 6,3 / 8 / 10	1'500		1'200
		VVF52.40... ²⁾	40	12,5 / 16 / 20 / 25	500		400
PN25/16  -20...130 °C ³⁾	N4405	VVF53.15... ²⁾	15	0,16 / 0,2 / 0,25 / 0,32 / 0,4 / 0,5 / 0,63 / 0,8 / 1 / 1,25 / 1,6 / 2 / 2,5 / 3,2 / 4	2'500	1'200	
		VVF53.20-6.3	20	6,3			
		VVF53.25... ²⁾	25	5 / 6,3 / 8 / 10	1'600		
		VVF53.32-16	32	16	900		750
		VVF53.40... ²⁾	40	12,5 / 16 / 20 / 25	550		500
		VVF53.50... ²⁾	50	31,5 / 40	350		300
		VVF53.50-40K ²⁾	50	40	2500		1250
PN16  -25...130 °C ³⁾	N4363	VVG41.11...12 ¹⁾	15	0,63 / 1	1'600	800	
		VVG41.13	15	1,6			
		VVG41.14	15	2,5			
		VVG41.15	15	4			
		VVG41.20	20	6,3			
		VVG41.25	25	10			
		VVG41.32	32	16			1'550
		VVG41.40	40	25	875		525
		VVG41.50	50	40	300		300

¹⁾ insert running number instead of k_{vs} value

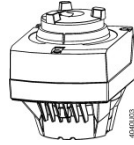
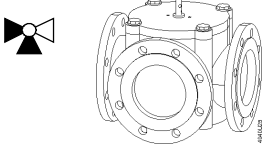
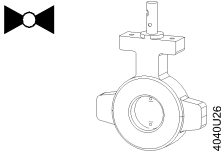

²⁾ .. = insert k_{vs} value

³⁾ For media temperatures > 130 °C use electrohydraulic actuators SKD.. (N4561), SKB.. (N4564).

2.5.3 Stroke Actuators – combi valves

Valves				Actuators SAX..P..	
		DN	H ₁₀₀ [mm]	Δp _{max} [kPa]	Δp _s [kPa]
Standard flow rate	VPF43.50F16	50	20	600	600
	VPF43.65F24	65			
	VPF43.80F35	80			
	VPF53.50F16	50			
	VPF53.65F24	65			
High flow rate	VPF43.50F25	50	20	600	600
	VPF43.65F35	65			
	VPF43.80F45	80	20	600	600
	VPF53.50F25	50			
	VPF53.65F35	65			
	VPF53.80F45	80			

2.5.4 Rotary actuators – slipper and butterfly valves

Typical applications	Rotary actuators	Data Sheet	Angular rotation		90 °				
			Torque		10 Nm	20 Nm	40 Nm		
<ul style="list-style-type: none"> • Heating plants • Ventilation and air conditioning plants • Heat generation • Heat distribution • District heating plants 	SAL..	N4502							
			SAL..T10	SAL..T20				SAL..T40	
Slipper valves	Data Sheet	Valve type	DN	k _{vs} [m ³ /h]	Mounting set	Δp _{max} [kPa]			
PN6	N4241	VBF21.40	40	25	-	- ¹⁾	30	-	-
	N4241	VBF21.50	50	40	-	- ¹⁾			
		VBF21.65	65	63	ASK31N				
		VBF21.80	80	100	ASK31N				
		VBF21.100	100	160	ASK31N				
		VBF21.125	125	550	ASK31N				
		VBF21.150	150	820	ASK31N				
1 °C...120 °C									
Butterfly valves					Δp _s [kPa]				
PN16	N4131	VKF41.40 ²⁾	40	50	ASK33N	500	-	-	
	N4131	VKF41.50 ²⁾	50	80	ASK33N				
		VKF41.65 ²⁾	65	200	ASK33N				
		VKF41.80 ²⁾	80	400	ASK33N				
		VKF41.100 ²⁾	100	760	ASK33N				
		VKF41.125 ²⁾	125	1'000	ASK33N				
		VKF41.150 ³⁾	150	2'100	ASK33N				250
		VKF41.200 ³⁾	200	4'000	ASK33N	125	-	300	
-10 °C...120 °C									
PN16	N4136	VKF46.40 ⁴⁾	40	50	-	-	1'600	-	
	N4136	VKF46.50 ⁴⁾	50	85	-				
		VKF46.65 ⁴⁾	65	215	-				
		VKF46.80 ⁴⁾	80	420	-			1'600	
		VKF46.100 ⁴⁾	100	800	-			1'200	
		VKF46.125 ⁴⁾	125	1'010	-			800	
		-10 °C...120 °C							

¹⁾ SAL..T10 rotary actuators only fit on VBF21..., DN65...150. For VBF21..., DN40/50 use SQK34..., SQK84.. or SQK33.00 rotary actuators.

²⁾ VKF41.. maximum flow speed with SAL.T10 actuator with water DN40.. DN125 = 4 m/s

³⁾ VKF41.. maximum flow speed with SAL.T0 actuator with water DN150/200 = 2.5 m/s, with SAL.T40 actuator with water DN150/200 = 4 m/s

⁴⁾ VKF46.. maximum flow speed water = 4.5 m/s, air 40 m/s

2.6 Accessories

2.6.1 Electrical accessories

Product no.	Auxiliary switch ASC10.51	Potentiometer ASZ7.5/.. ¹⁾	Function module AZX61.1	Stem heating element ASZ6.6
Stock no.	S55845-Z103	S55845-Z104 (ASZ7.5/135) S55845-Z105 (ASZ7.5/200) S55845-Z106 (ASZ7.5/1000)	S55845-Z107	S55845-Z108
		Max. 2		Max. 1
SAX31..	Max. 2	Max. 1	-	Max. 1
SAX61..		-	Max. 1 AZX61.1	
SAX81..		Max. 1	-	
SAX31P..	Max. 2	Max. 1	-	-
SAX61P..		-		
SAX81P..		Max. 1		
SAL31..	Max. 2	Max. 1	-	-
SAL61..		-	Max. 1 AZX61.1	
SAL81..		Max. 1	-	

¹⁾ Available with 135 Ω, 200 Ω or 1000 Ω

2.6.2 Mechanical accessories

Product no.	Weather shield ASK39.1	Mounting set		
		ASK31N for VBF21..	ASK33N for VKF41..	ASK35N für VKF45.. ¹⁾
Stock no.	S55845-Z109	S55845-Z100	S55845-Z101	S55845-Z102
SAX..	Max. 1	-	-	-
SAL..T10	Max. 1	✓	✓	-
SAL..T20		-	-	DN40...DN65
SAL..T40		-	DN150 / 200	DN80...DN200

¹⁾ In 2000 VKF45.. line was replaced by VKF46.. line.

2.7 Product replacements

Replacement of SQX.. / SQL.. actuators by SAX.. / SAL.. actuators.

Note

- When replacing actuators consider positioning force, torque and positioning times.
- Adjust in the controller the parameter "Running time" respectively "Positioning time", to ensure stable control.
- The replacement of accessory items needs to be taken into consideration also. In that case, compatibility is not necessarily ensured.

2.7.1 Stroke actuators SQX.. to SAX..

SQX..		Pos. time [s]	Pos. force [N]	SAX.. ¹⁾		VVF21../VXF21.. VVF31../VXF31.. VVF40../VXF40..	VVF41../VXF41.. VVG41../VXG41..	VVF51.. VVF52..
				Pos. time [s]	Pos. force [N]			
						DN15...80	DN15...50	DN15...40
SQX31.. ²⁾	SQX31.00	150	500	SAX31.00	120	800	✓	✓
	SQX31.03	35	500	SAX31.03	30	800	✓	✓
SQX61..	SQX61	35	500	SAX61.03	30	800	✓	✓
	SQX61U	35	500	SAX61.03U	30	800	✓	✓
SQX81..	SQX81.00	150	500	SAX81.00	120	800	✓	✓
	SQX81.00U	150	500	SAX81.00U	120	800	✓	✓
	SQX81.03	35	500	SAX81.03	30	800	✓	✓
	SQX81.03U	35	500	SAX81.03U	30	800	✓	✓
SQX32..	SQX32.00	150	700	SAX31.00	120	800	✓	✓
	SQX32.03	35	700	SAX31.03	30	800	✓	✓
SQX62..	SQX62	35	700	SAX61.03	30	800	✓	✓
	SQX62U	35	700	SAX61.03U	30	800	✓	✓
SQX82..	SQX82.00	150	700	SAX81.00	120	800	✓	✓
	SQX82.00U	150	700	SAX81.00U	120	800	✓	✓
	SQX82.03	35	700	SAX81.03	30	800	✓	✓
	SQX82.03U	35	700	SAX81.03U	30	800	✓	✓

¹⁾ SAX81.., SAX61.. are available as UL-listed versions.

²⁾ SQX31.06: Actuator for gas valves. Either replace complete valve-actuator combination or clarify required positioning time and replace only actuator. Consider if mounting set is required.

2.7.2 Rotary actuators SQL.. to SAL..

SQL..		Pos. time [s]	Torque [Nm]	SAL..		Pos. time [s]	Torque [Nm]
SQL31..	SQL31.10	120	12,5	SAL31.00T10	120	10	
SQL32..	SQL32.10	125	12,5	SAL31.00T10	120	10	
	SQL32.12	70	12,5	SAL31.00T10 or SAL31.03T10 ¹⁾	120 30	10 10	
	SQL32.13	30	5	SAL31.03T10	30	10	
SQL33..	SQL33.00	125	12,5	SAL31.00T10	120	10	
	SQL33.03	30	10	SAL31.03T10	30	10	
SQL83..	SQL83.00	125	12,5	SAL81.00T10	120	10	
	SQL83.04	30	10	SAL81.03T10	30	10	
SQL35..	SQL35.00	125	20	SAL31.00T20 ²⁾	120	20	
	SQL35.00	125	20	SAL31.00T40 ²⁾	120	40	
SQL85..	SQL85.00	125	20	SAL81.00T20 ²⁾	120	20	
	SQL85.00	125	20	SAL81.00T40 ²⁾	120	40	

¹⁾ SAL.. positioning time differs from that of SQL32.12 and SQL32.13 rotary actuators. Consider positioning time when replacing.

²⁾ use SAL.T20 on VKF46.40, VKF46.50 and VKF46.65
use SAL.T40 on VKF46.80, VKF46.100 and VKF46.125

Rotary actuators		SQL..				SAL..		
		SQL31..	SQL32..	SQL33.. SQL83..	SQL35.. SQL85..	SAL31.00T10 SAL31.03T10 SAL81.00T10 SAL81.03T10	SAL31.00T20 SAL81.00T20	SAL31.00T40 SAL81.00T40
VBF21..	DN 40 / DN 50 ¹⁾	-	-	ASK32	-	¹⁾	¹⁾	¹⁾
	DN 65...150	-	-	ASK31	-	ASK31N	-	-
VBF31..	DN 40 / DN 50 ¹⁾	-	-	ASK32	-	¹⁾	¹⁾	¹⁾
	DN 65...100	-	-	ASK31	-	ASK31N	-	-
B3f..	DN 40 / DN 50 ¹⁾	Direct	ASK25	ASK31	-	¹⁾	¹⁾	¹⁾
	DN 65...150	Direct	ASK25	ASK31	-	ASK31N	-	-
C1f..	DN 40 / DN 50 ¹⁾	Direct	-	ASK31	-	¹⁾	¹⁾	¹⁾
	DN 65...100	Direct	-	ASK31	-	ASK31N	-	-
K1i..	DN 20...32	Direct	ASK24	ASK33	-	ASK33N	-	-
K1f..	DN 40...200	Direct	ASK24	ASK33	-	ASK33N	-	-
VKF41..	DN 40...125	-	-	ASK33	-	ASK33N	-	-
	DN 150 / DN 200	-	-	ASK33	ASK35	ASK33N	-	ASK33N
VKF45..	DN40...65	-	-	-	ASK35	-	ASK35N	ASK35N
	DN80...200	-	-	-	-	-	-	ASK35N

¹⁾ Replace with rotary actuators SQK34..., SQK84.. (data sheet N4508) or SQK33.00 (data sheet N4506).

Note

Rotary actuators SAL.. are not suited for mounting sets ASK24, ASK25, ASK31, ASK32, ASK33, ASK35, ASK40 and ASK41.

2.7.3 Electrical accessories

Notes

- If an auxiliary switch is required, its switching point should be indicated on the plant schematic.
- For media below 0 °C the stem heating element ASZ6.6 keeps the valve free from freezing.
- For this case, do not insulate the actuator bracket and the valve stem, as air circulation must be ensured!
- **Non-observance of the above may result in accidents and fires!**
- **Do not touch the hot parts without prior protective measures to avoid burns.**



Stroke actuators		SQX..				SAX..	
		SQX31..	SQX61..	SQX32..	SQX62..	SAX31..	SAX61..
		SQX81..	-	SQX82..	-	SAX81..	-
ASZ6.5	Stem heater	ASZ6.5	ASZ6.5	ASZ6.5	ASZ6.5	ASZ6.6	ASZ6.6
ASZ7.4	1 auxiliary switch, 1 potentiometer (1000 Ω)	ASZ7.4	-	ASZ7.4	-	ASC10.51 + ASZ7.5/1000	-
ASC9.4	Double auxiliary switch	ASC9.4	-	ASC9.4	-	2x ASC10.51	-
ASC9.5	Auxiliary switch	ASC9.5	-	ASC9.5	-	ASC10.51	-

Rotary actuators		SQL..				SAL..	
		SQL31..	SQL32..	SQL33..	-	SAL31..T10	-
		-	-	SQL83..	-	SAL81..T10	-
		-	-	-	SQL35.00 SQL85.00	-	SAL31.00T20 / T40 SAL81.00T20 / T40
ASZ7.4	1 auxiliary switch, 1 potentiometer (1000 Ω)	-	-	ASZ7.4	ASZ7.4	ASC10.51 + ASZ7.5/1000	ASC10.51 + ASZ7.5/1000
ASC9.4	Double auxiliary switch	-	-	ASC9.4	ASC9.4	2x ASC10.51	2x ASC10.51
ASC9.5	Auxiliary switch	-	-	ASC9.5	ASC9.5	ASC10.51	ASC10.51
ASZ8.4	Potentiometer (220 Ω)	ASZ8.4	ASZ8.4	-	-	¹⁾	-
ASZ9.4	Potentiometer (2800 Ω)	ASZ9.4	ASZ9.4	-	-	¹⁾	-
ASC1.4	Auxiliary switch	ASC1.4	ASC1.4	-	-	ASC10.51	-

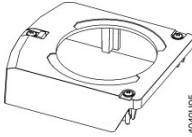
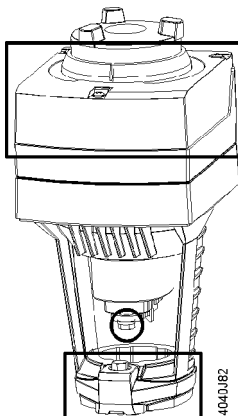

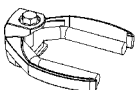
¹⁾ Used auxiliary switches or potentiometer (order accessories additionally were applicable):

- Check used functionality
- Check compatibility with controller

2.8 Spare parts

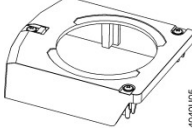
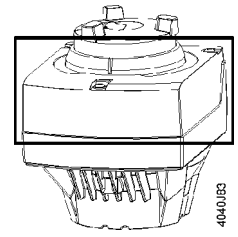

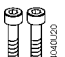
The following spare part sets are available:

SAX..

Stock number 8000060843	Housing cover  4040UD5	 4040UD5 4040UD4
	Screw (valve stem coupling)  4040UZ2	
	U-bracket  4040UD4	

Single components from the spare part sets are not available.

SAL..

Stock number 8000060844	Housing cover  4040UD5	 4040UD5 4040UD6		
	2 adapters  4040UD6 <table border="0" style="display: inline-table; vertical-align: middle;"> <tr> <td>1 pc. 14 mm</td> </tr> <tr> <td>1 pc. 11 mm</td> </tr> </table>		1 pc. 14 mm	1 pc. 11 mm
	1 pc. 14 mm			
1 pc. 11 mm				
4 screws  4040UD20 <table border="0" style="display: inline-table; vertical-align: middle;"> <tr> <td>2 pcs. M5 x 20 mm</td> </tr> <tr> <td>2 pcs. M6 x 20 mm</td> </tr> </table>	2 pcs. M5 x 20 mm	2 pcs. M6 x 20 mm		
2 pcs. M5 x 20 mm				
2 pcs. M6 x 20 mm				

Single components from the spare part sets are not available.

2.9 Sizing

2.9.1 Parallel operation of actuators

SA..31.. and SA..81..

3-position actuators must have one specific controller each, refer to "Connection diagrams" (page 59).

SA..61..

Up to 10 actuators can drive in parallel on a controller output with a rating of 1 mA. Modulating actuators have an input impedance of 100 kΩ.

2.9.2 Permissible cable lengths and wire cross-sectional areas

Cable lengths and wire cross-sectional areas depend on the following criteria of the actuators:

- Current draw
- Permissible voltage drop across the power supply lines

The control accuracy of the modulating actuators can be improved by using 4-wire connections, thus ensuring that voltage drops on G0 will not distort the positioning signal.

Note

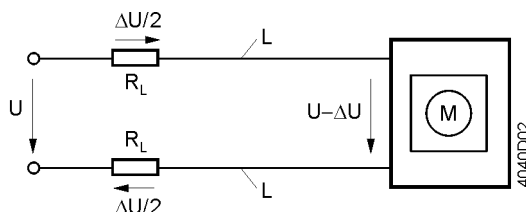
When determining the cable length and the wire cross-sectional area, adherence to the permissible operating voltage tolerance at the actuator is of importance, in addition to the permissible voltage drop across the operating voltage and signal lines (see table below).

Product no.	Operating voltage	Terminal	Max. permissible voltage drop
SA..31..	AC 230 V	N, Y1, Y2	2% each (total of 4%)
SA..61..	AC/DC 24 V	G0, G	4% each (total of 8%)
SA..81..		G0, Y, U	1% each (at DC 0...10 V)
		G, Y1, Y2	4% each (total of 8%)

The following criteria must be considered:

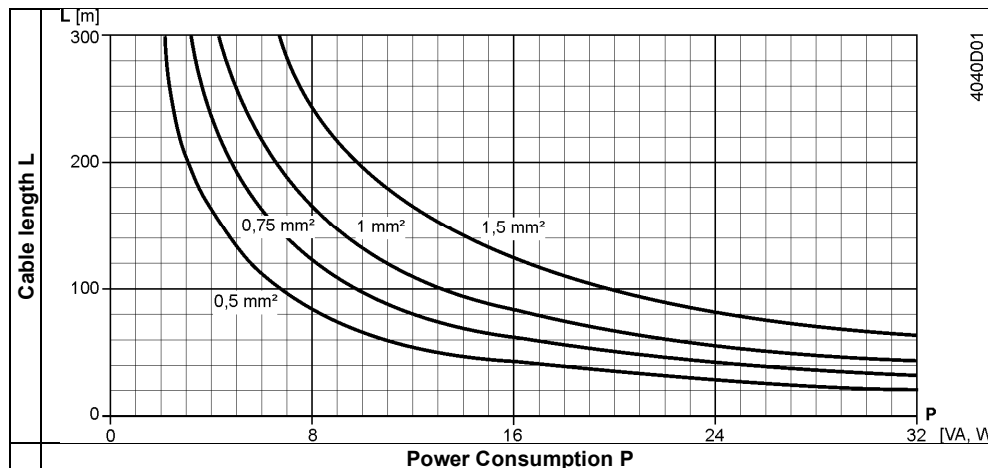
- With modulating control, the permissible positioning signal error must not exceed 1%, the reason being the voltage drop on the G0 wire.
- The voltage drop, caused by charging current peaks in the actuator's DC circuit, must not exceed 2 Vpp.
- If the G0 line is not correctly sized, load changes of the actuator due to changes of the DC voltage drop might lead to self-oscillations.
- The operating voltage drop at AC/DC 24 V may be a maximum of 8% (4% above the G0 wire).

Basic diagram – voltage drop across the power supply cables



The following diagram can be used to determine the cable lengths and wire cross-sectional areas.

L/P-diagram for AC/DC 24 V



Permissible cable length **L** as a function of power **P** and cross-sectional area of wire as a parameter

Note

P is the decisive power consumption of all actuators connected in parallel. When operating on AC 24 V, power consumption is in VA; when operating on DC 24 V, in W.

Formulas for wire lengths

Operating voltage	Permissible voltage drop / wire	Formula for wire length
AC 230 V	2% of AC 230 V	$L = 46 \cdot \frac{1313 \cdot A}{P}$ [m]
AC/DC 24 V	4% of AC 24 V	$L = \frac{1313 \cdot A}{P}$ [m]
	1% of DC 10 V	$L = \frac{5.47 \cdot A}{I(\text{DC})}$ [m]

- A Cross-sectional area of wire in mm²
- L Permissible wire length in m
- P Power consumption in VA (AC) or W (DC) (see actuator's rating plate)
- I(DC) DC current part (in A) on G0 wire

2.10 Warranty

The engineering data specified in chapter "Equipment combinations" (page 10) are only guaranteed in connection with the Siemens valves listed.

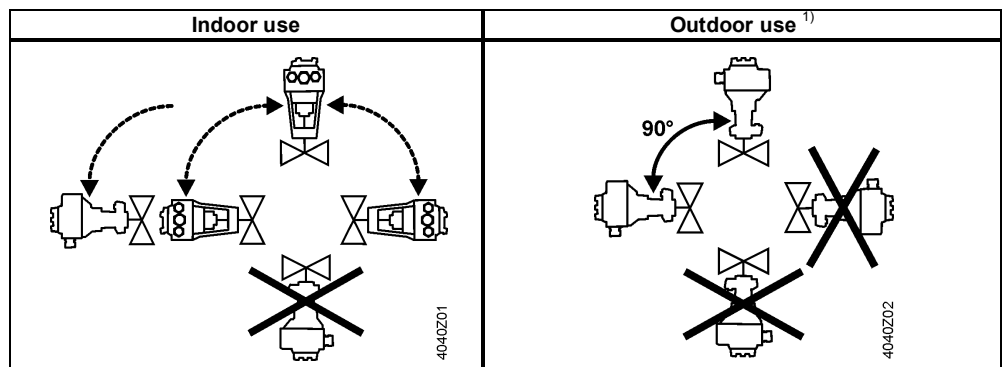
Note

When using the actuators in connection with valves of other manufacture, correct functioning must be ensured by the user, and Siemens will assume no responsibility.

3 Handling

3.1 Mounting and installation

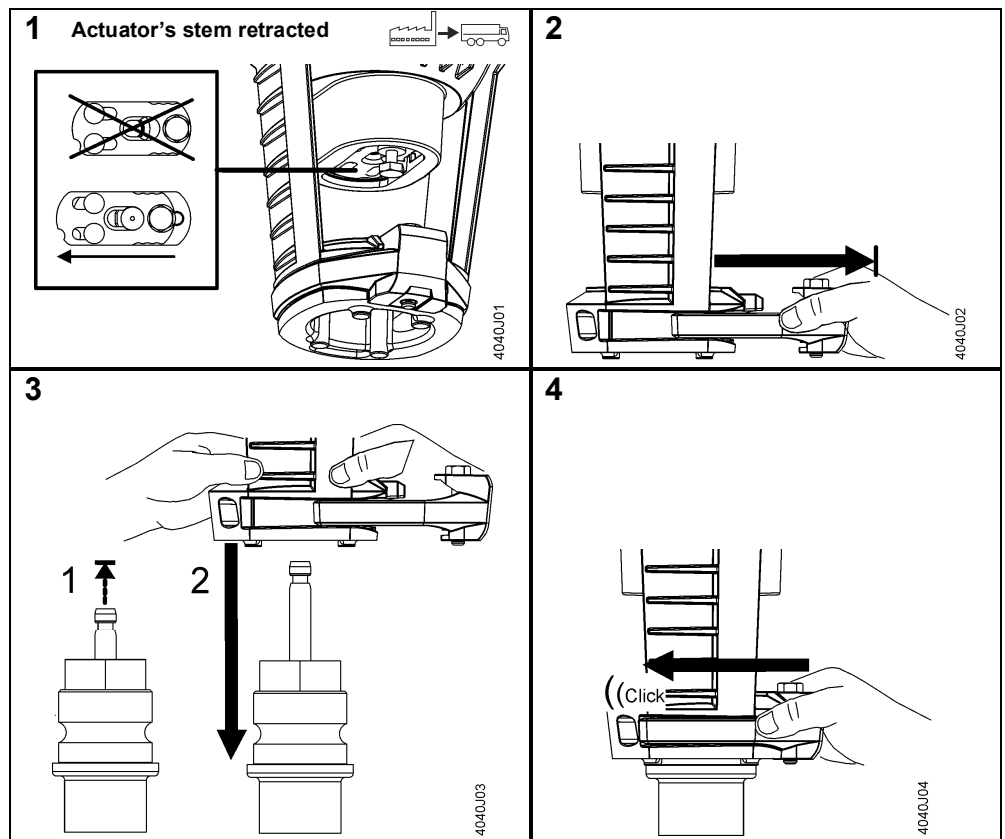
3.1.1 Mounting positions

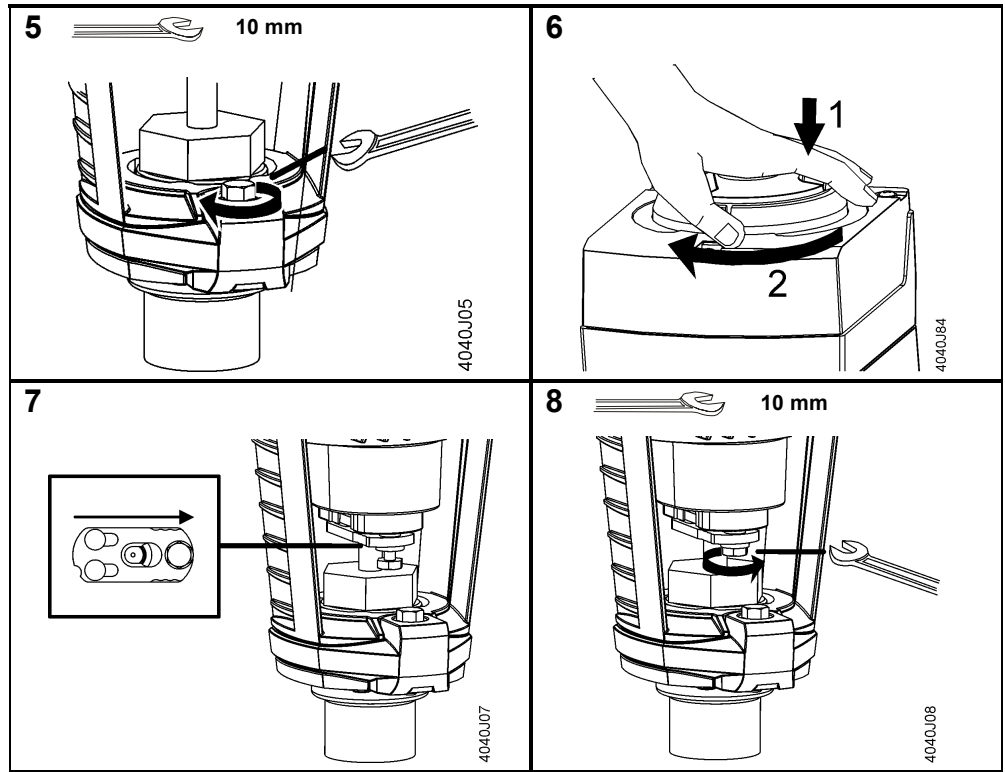


¹⁾ Only in connection with weather shield ASK39.1

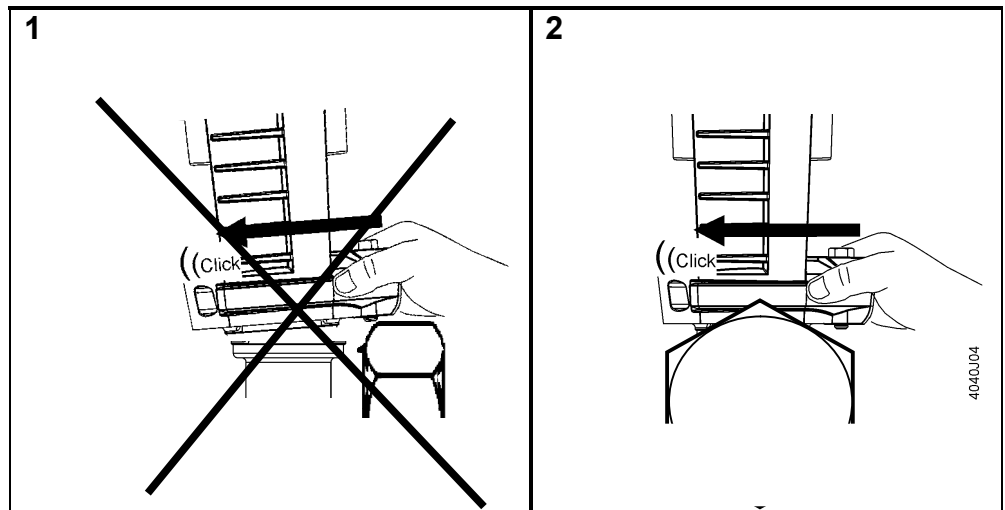
3.1.2 Fitting stroke actuators to seat valves VVF.. / VXF.. or VVG.. / VXG..

First, observe "Mounting positions" (page 19).





3.1.3 Avoid missalignment on V_G41 valves with fittings

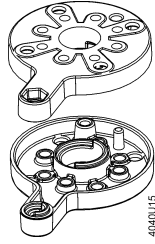
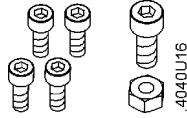
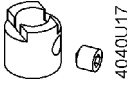
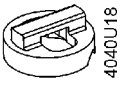


On threaded valves it's possible that the actuator is missaligned on the valve due to a collision with the fitting. If so, please take care for correct mounting, either by turning the actuator or by adjusting the fitting (e.g. use a second sealing to change fitting position).

3.1.4 Fitting rotary actuators to butterfly valves VKF41..

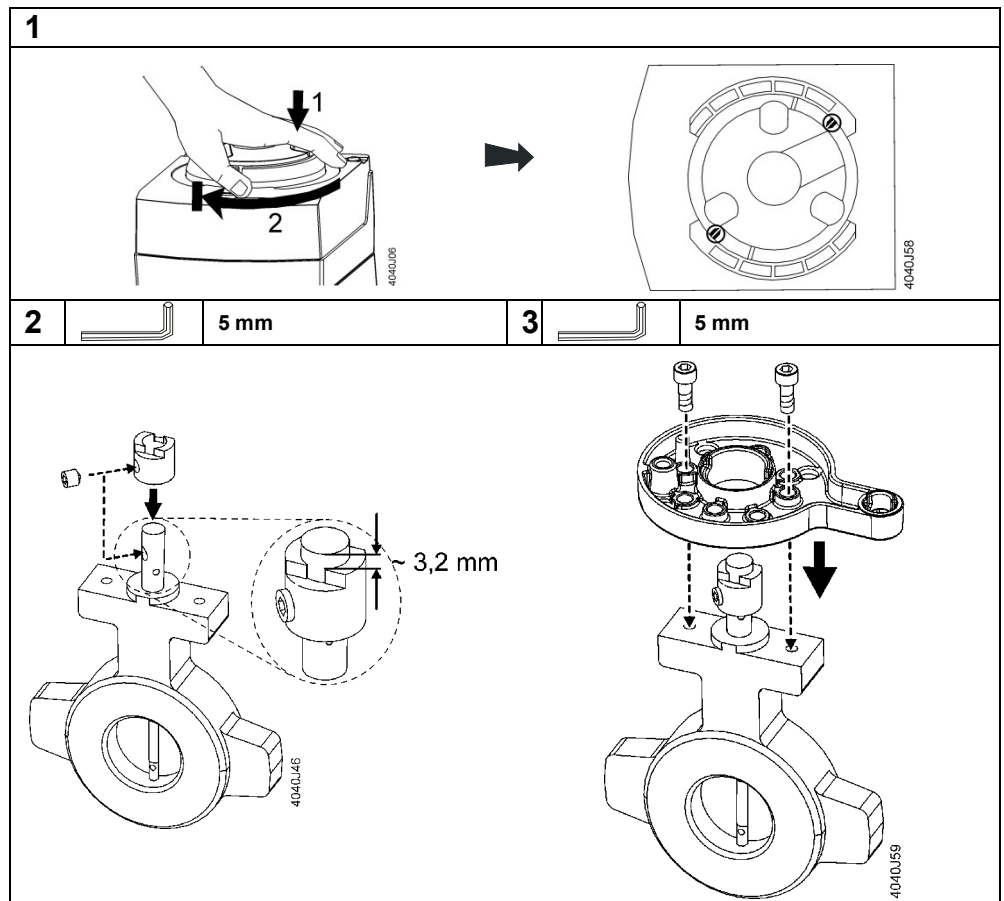
First, observe "Mounting positions" (page 19).

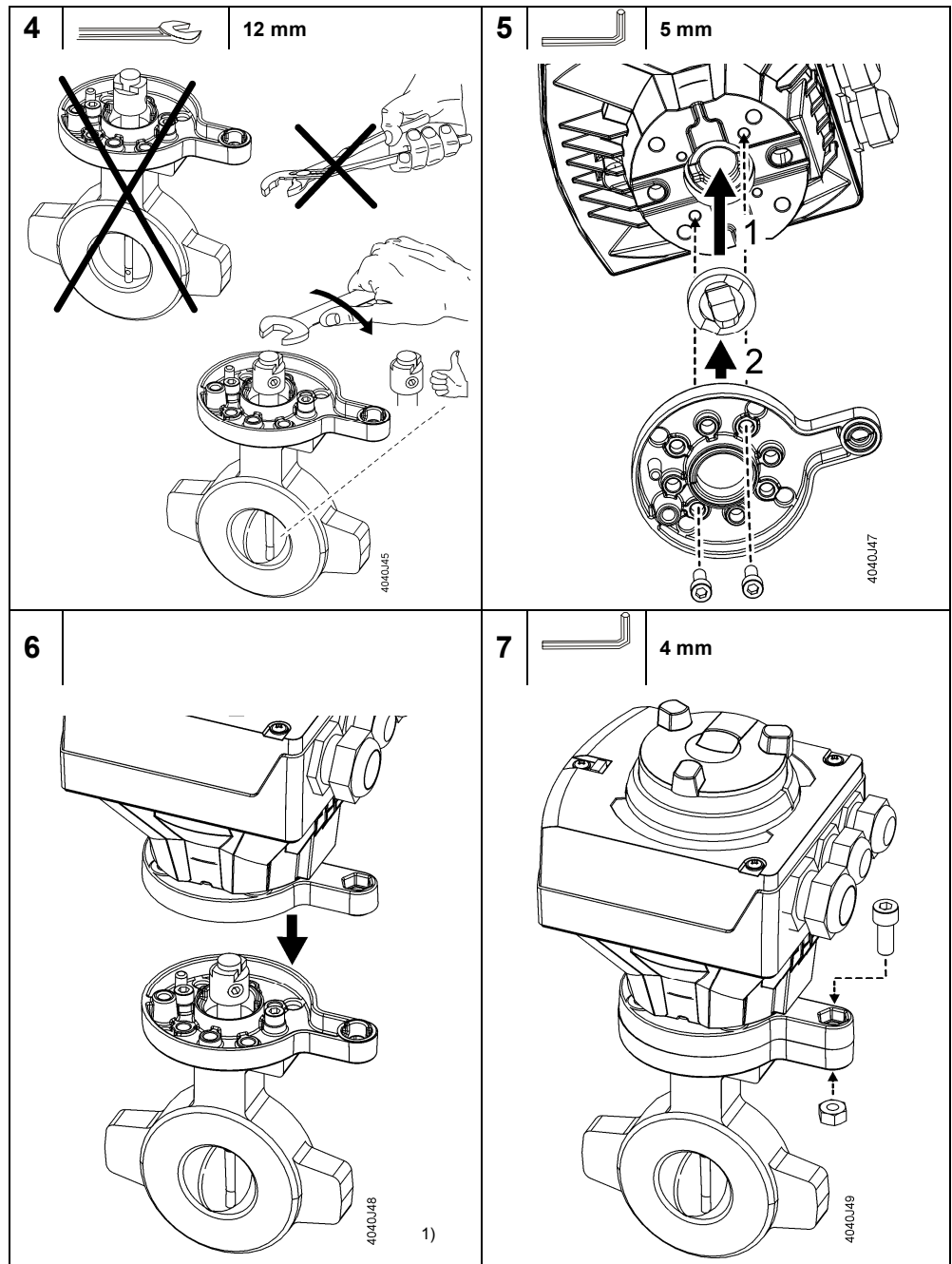
Mounting set ASK33N

Scope of delivery			
Mounting set (2 parts)	5 screws	1 adapter inc. fixing screw	1 adapter
	4 pcs. M6 x 16 mm 1 pc. M5 x 20 incl. nut 		

Note

Actuators SAL.. are not compatible with mounting sets ASK31, ASK32, ASK33, ASK35, ASK40, and ASK41.



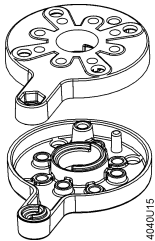
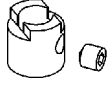
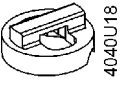
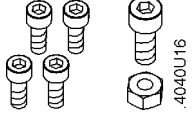


¹⁾ Angle position errors between actuator shaft and valve stem must be corrected via manual control (refer to "Manual adjuster" page 51).

3.1.5 Fitting rotary actuators to slipper valves VBF21..

First, observe "Mounting positions" (page 19).

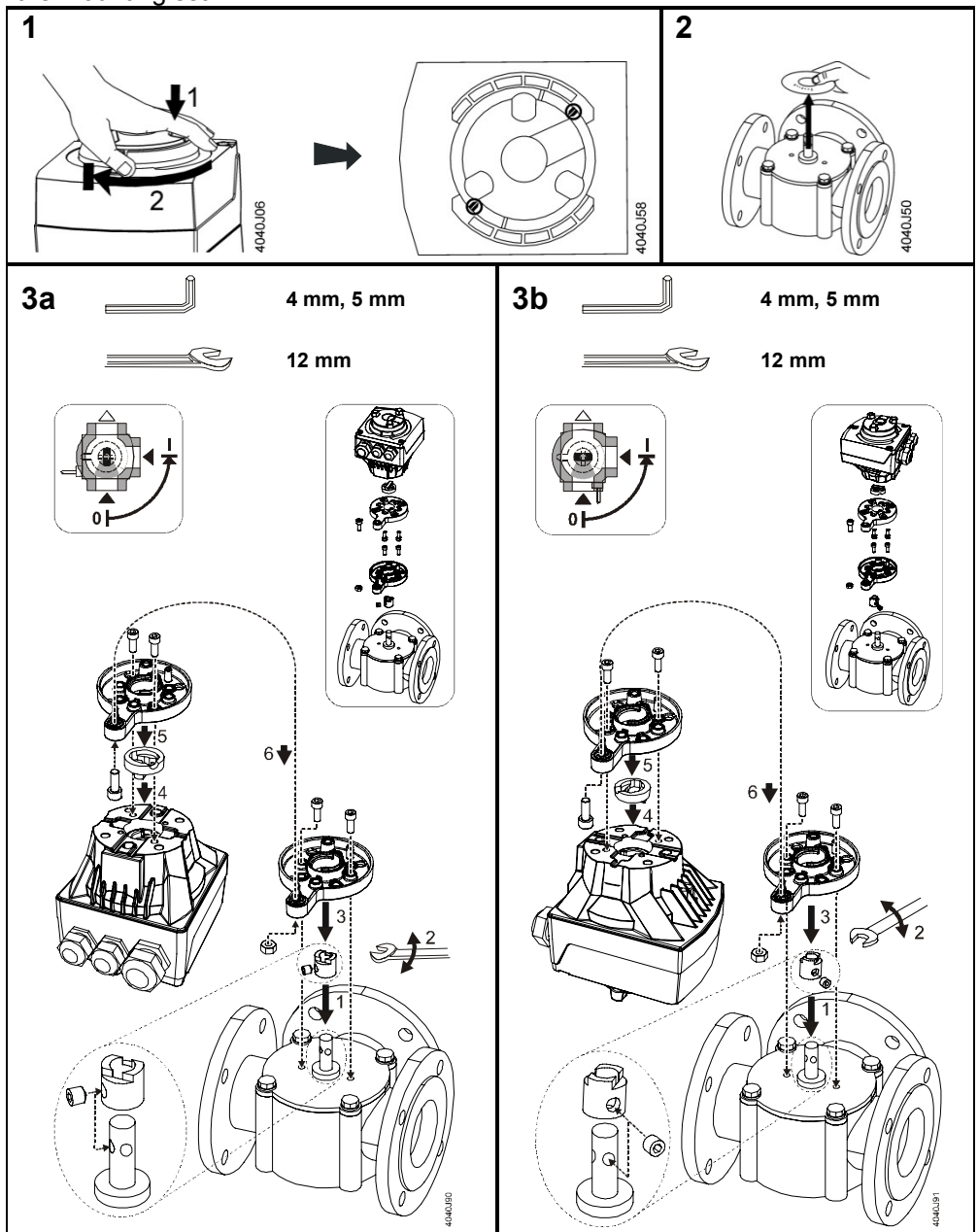
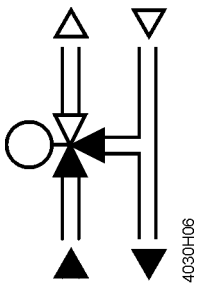
Mounting set ASK31N

Scope of delivery			
Mounting set (2 parts)	5 screws	1 adapter inc. fixing screw	1 adapter
	4 pcs. M6 x 16 mm 1 pc. M5 x 20 mm incl. nut		
		40-40U17	40-40U18

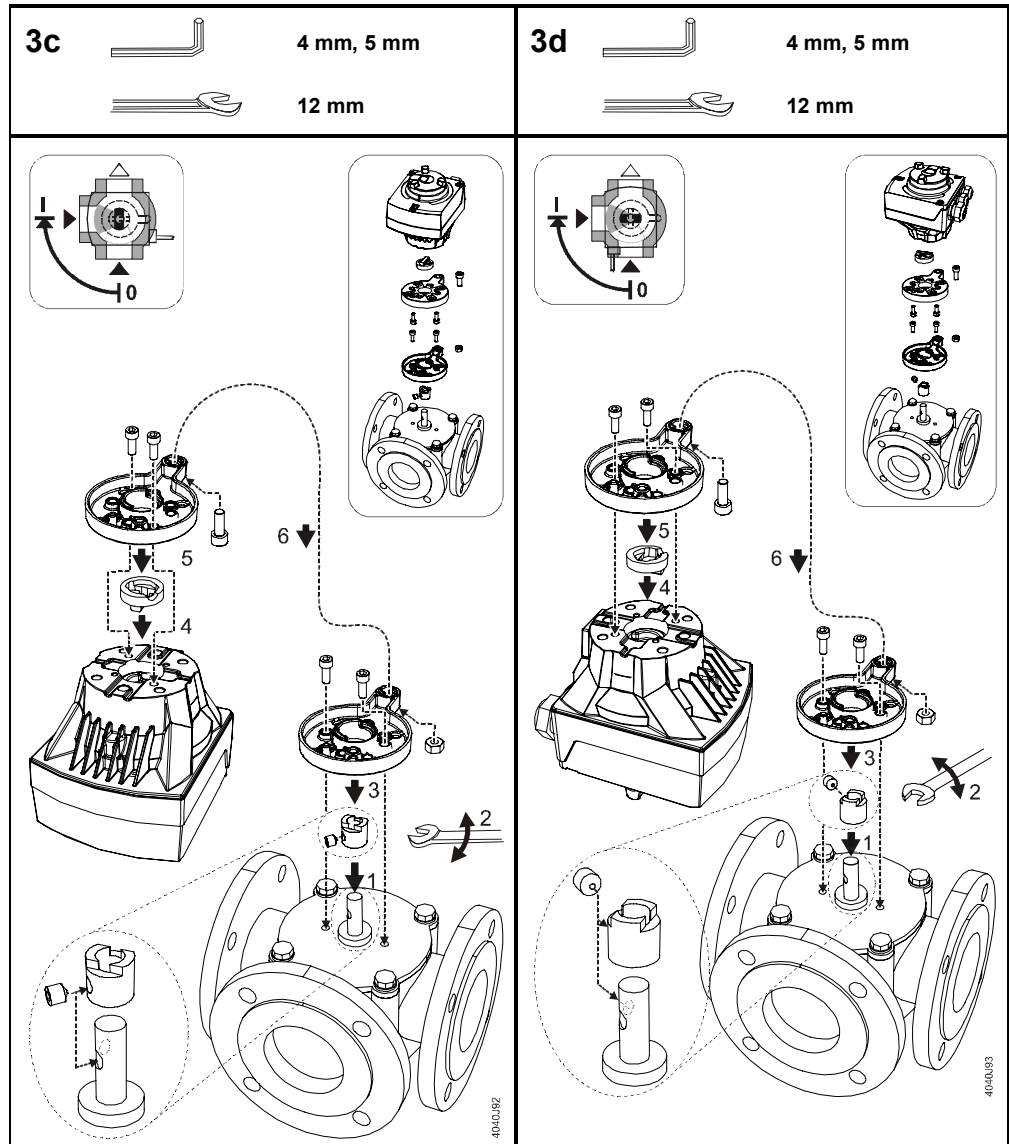
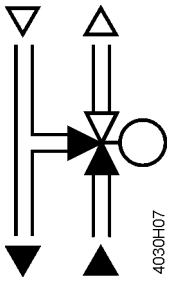
SAL..T10 rotary actuators only fit on VBF21.., DN65...150. For VBF21.., DN40/50 use SQK34.., SQK84.. or SQK33.00 rotary actuators.

With VBF21.. (e.g. DN 125), the following steps must be performed prior to fitting the mounting set.

Opening counterclockwise



Opening clockwise



For further mounting positions of VBF 21.. and routing of the connection cables the rotary actuators and adapters must be mounted according to the sketches above.

3.1.6 Fitting rotary actuators to butterfly valves VKF45..

First, observe "Mounting positions" (page 19).

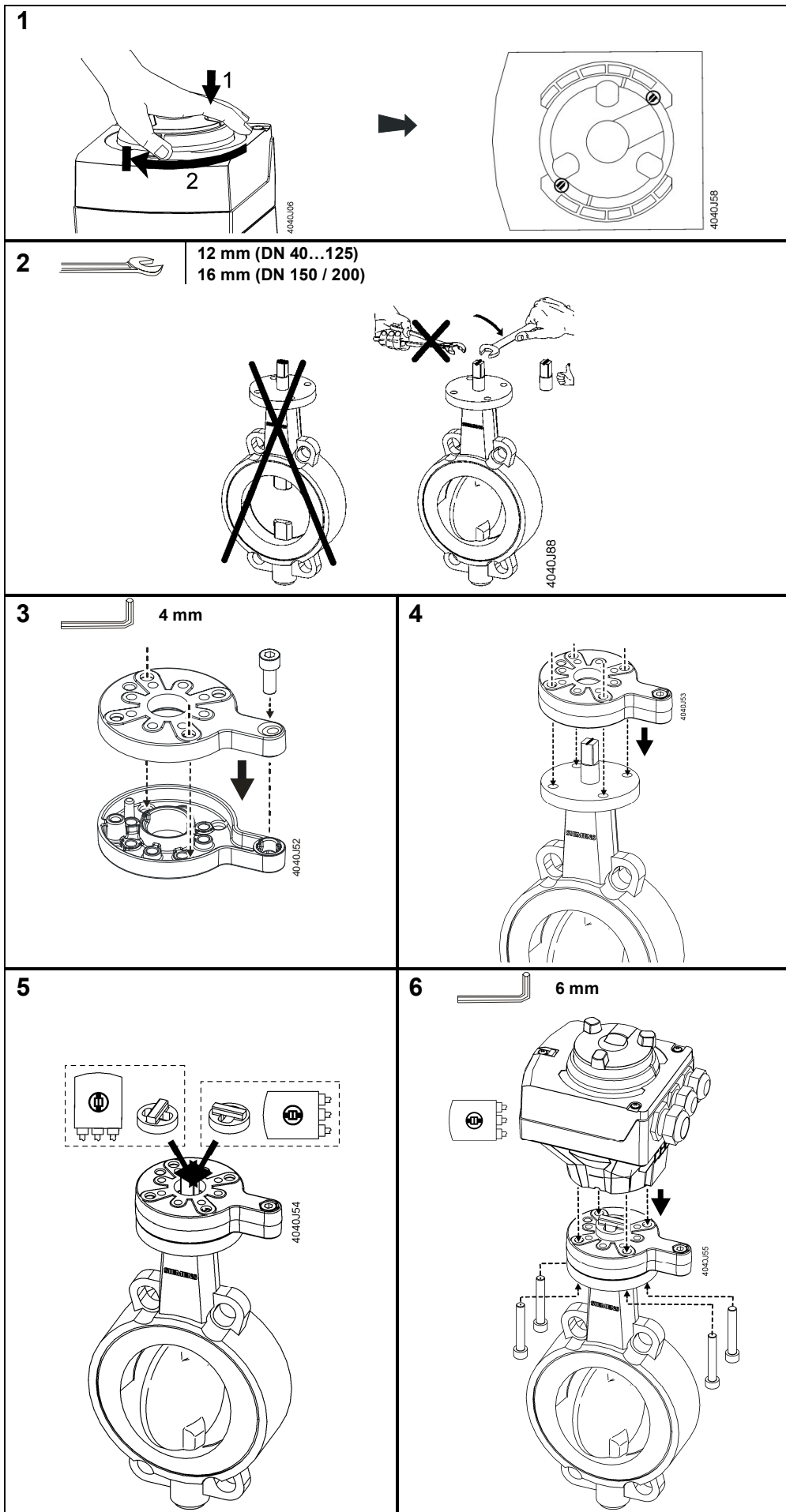
Mounting set ASK35N

For VKF45..

Scope of delivery		
Mounting set (2 parts)	5 screws	2 adapters
	2 pcs. M8 x 50 mm 1 pc. M5 x 20 mm incl. nut 	1 pc. 12 mm 1 pc. 16 mm

Note

Actuators SAL.. are not suited for use with mounting sets ASK31, ASK32, ASK33, ASK35, ASK40, and ASK41.



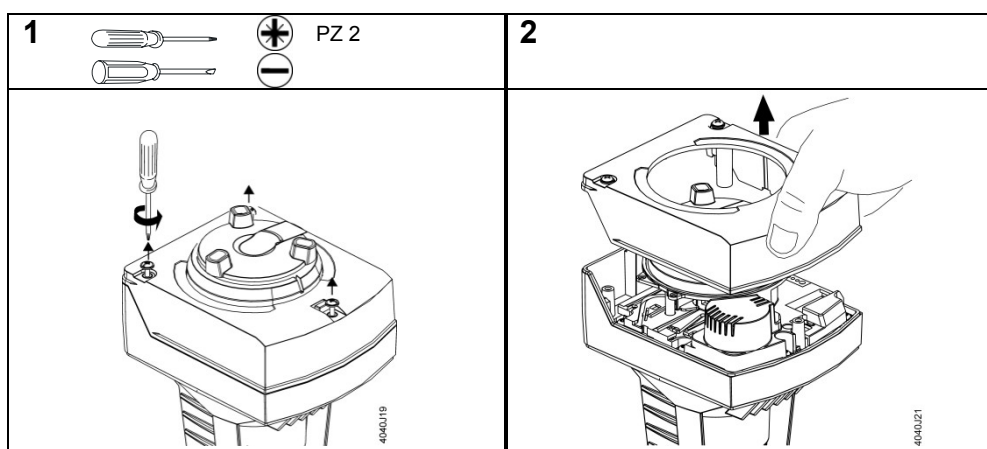
3.1.7 Accessories

Special notes on mounting

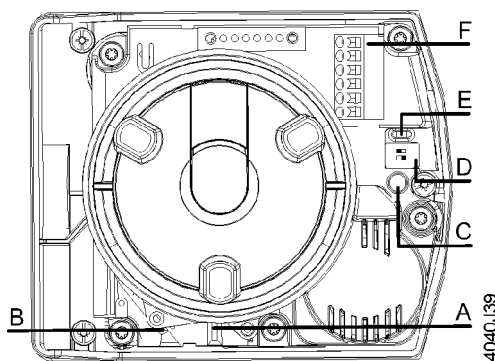


Before fitting the accessory items shown below, the following steps must be performed:

1. Actuator is mechanically connected to a Siemens valve.
2. Observe compatibility and choice of combinations. Refer to "Accessories" (page 13).
3. Disconnect actuator from power. **Attention if AC 230 V connected danger of life!**
4. Only required with actuators without fail safe function: Using the manual adjuster, drive the actuator's stem to the fully retracted position and fix the coupling. See "Manual operation" and "Fixing coupling" (page 45).
5. When mounting two different accessories watch out for correct plug-in space A or B (see below).
6. To fit an auxiliary switch, potentiometer or function module, the housing cover must be removed.

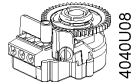


Interior view of setting elements and plug-in spaces



	Plug-in space for...
A	<ul style="list-style-type: none"> • Potentiometer ASZ7.5/.., or • Auxiliary switch ASC10.51
B	Plug-in space for... <ul style="list-style-type: none"> • Function module AZX61.1, or • Auxiliary switch ASC10.51
C	LED
D	DIL switches
E	Calibration slot
F	Connection terminals

Potentiometer ASZ7.5/..

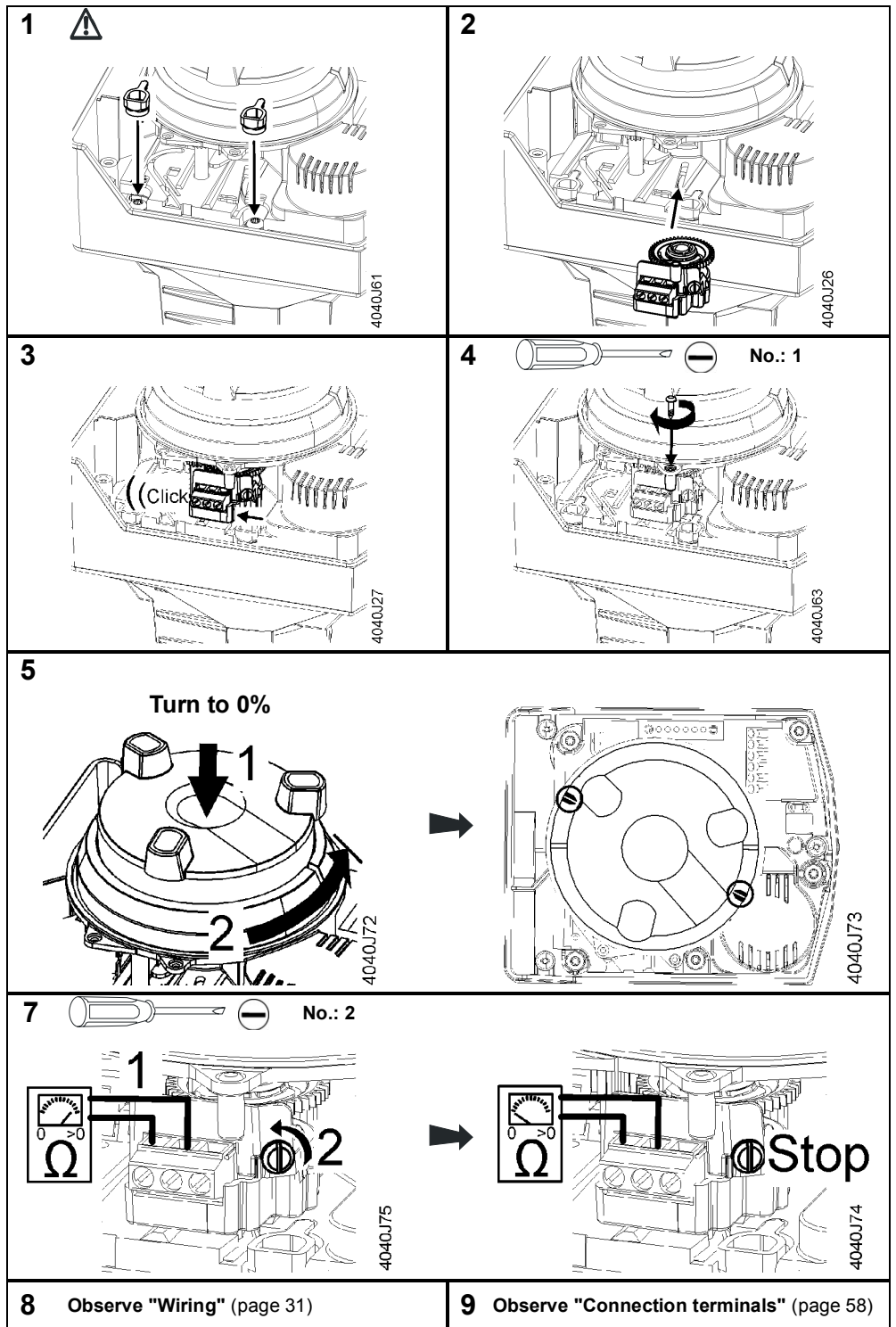


Scope of delivery		
1 potentiometer ASZ7.5/..	1 screw	2 screw covers
4040U08	1 pc. 4040U28	4040U29



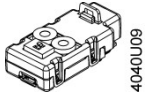
- First, observe "Special notes on mounting" (page 26).
- **Fit the screw covers first – otherwise danger of life!**

Plug-in space A



Function module

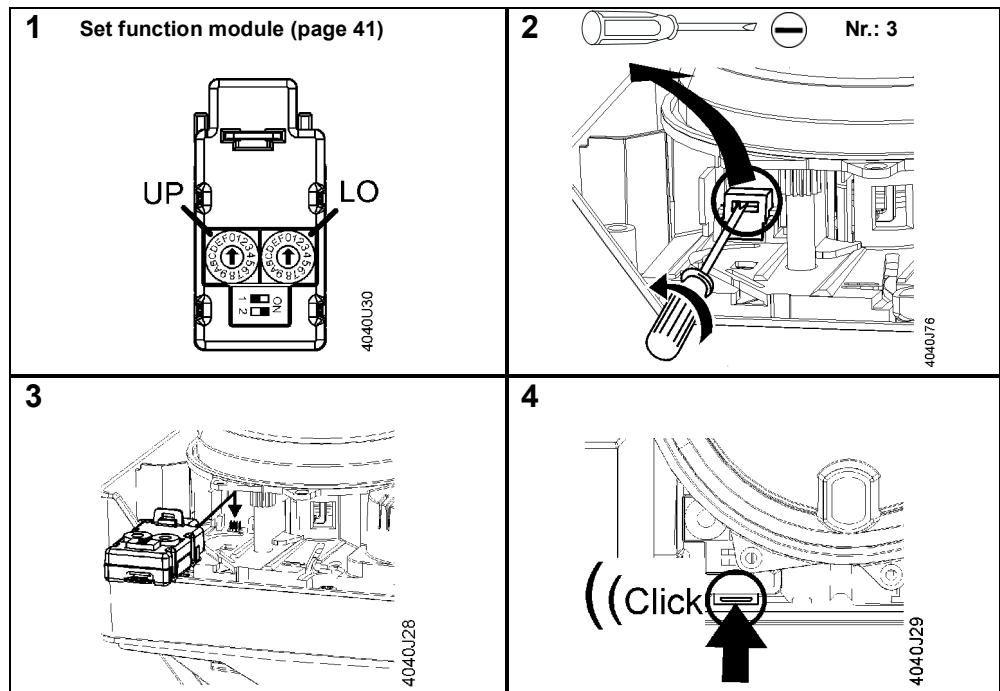
AZX61.1



4040U09

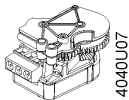
Plug-in space B

First, observe "Special notes on mounting" (page 26).



Auxiliary switch

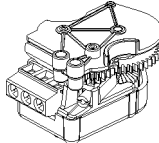

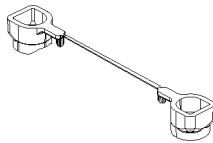
ASC10.51



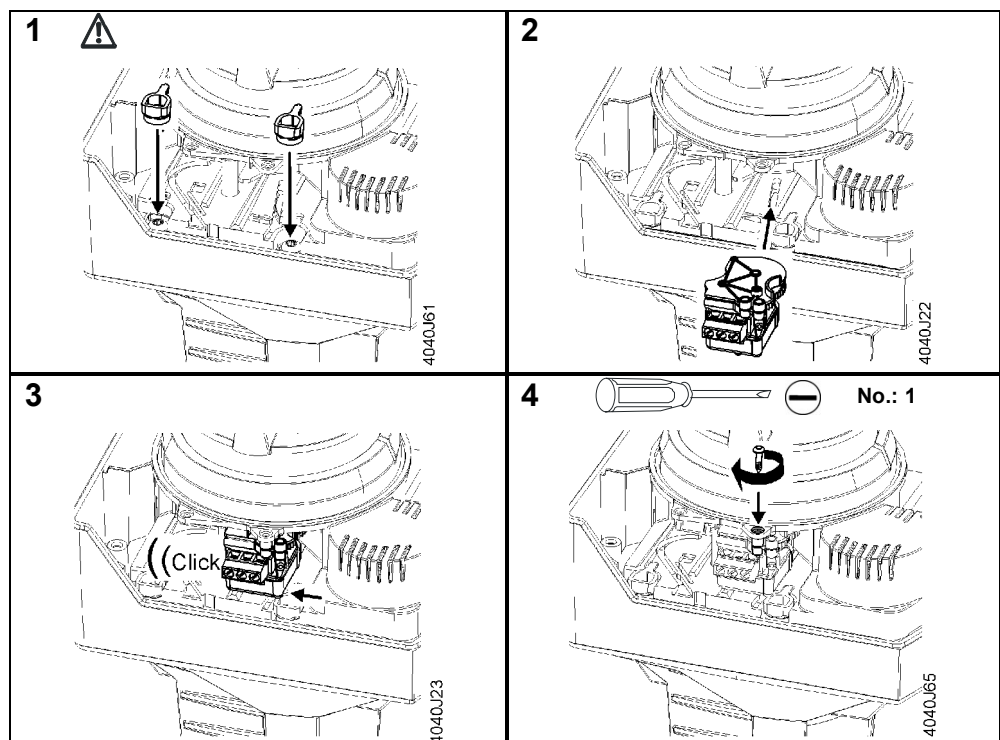
4040U07

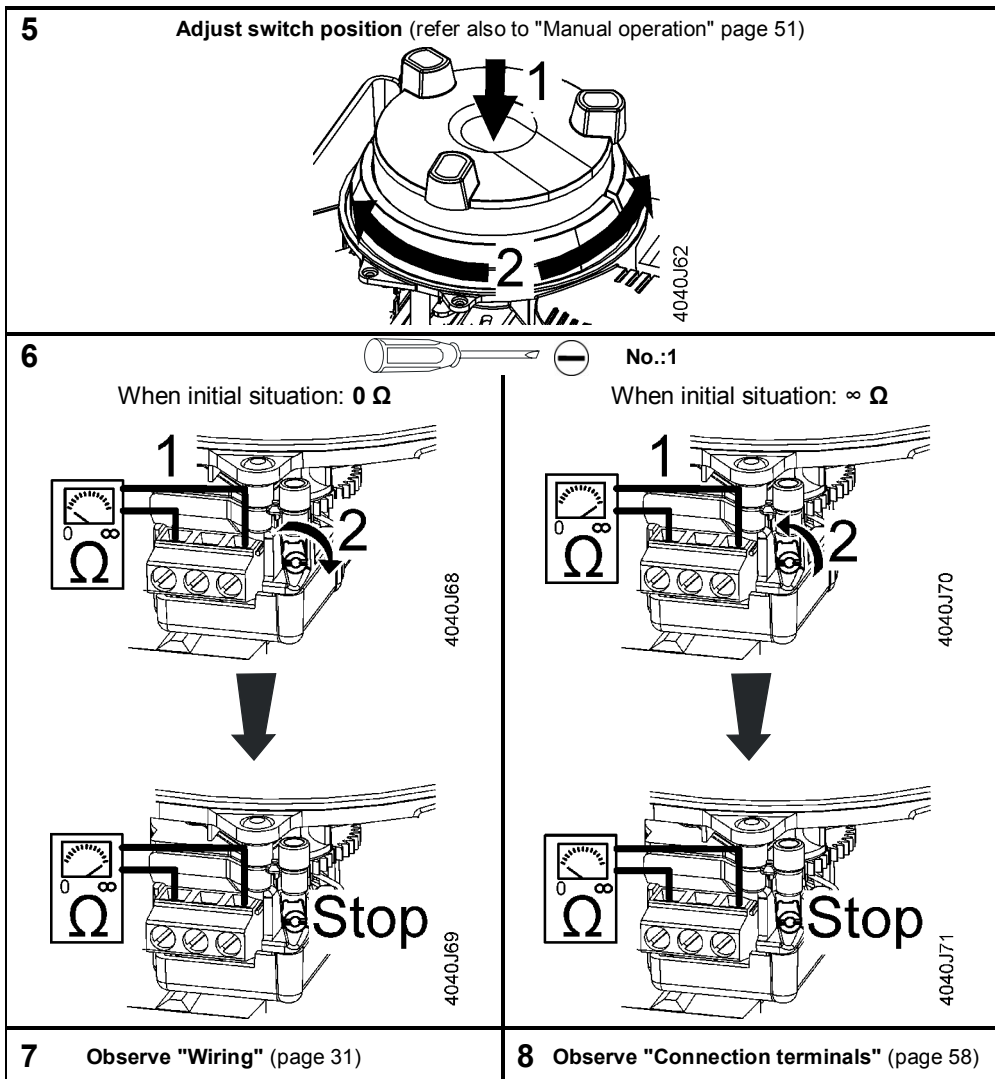
Plug-in space A



Scope of delivery		
1 auxiliary switch ASC10.51	1 screw	2 screw covers
 4040U07	1 pc.  4040U28	 4040U29

- First, observe "Special notes on mounting" (page 26).
- **Fit the screw covers first– otherwise danger of life!**

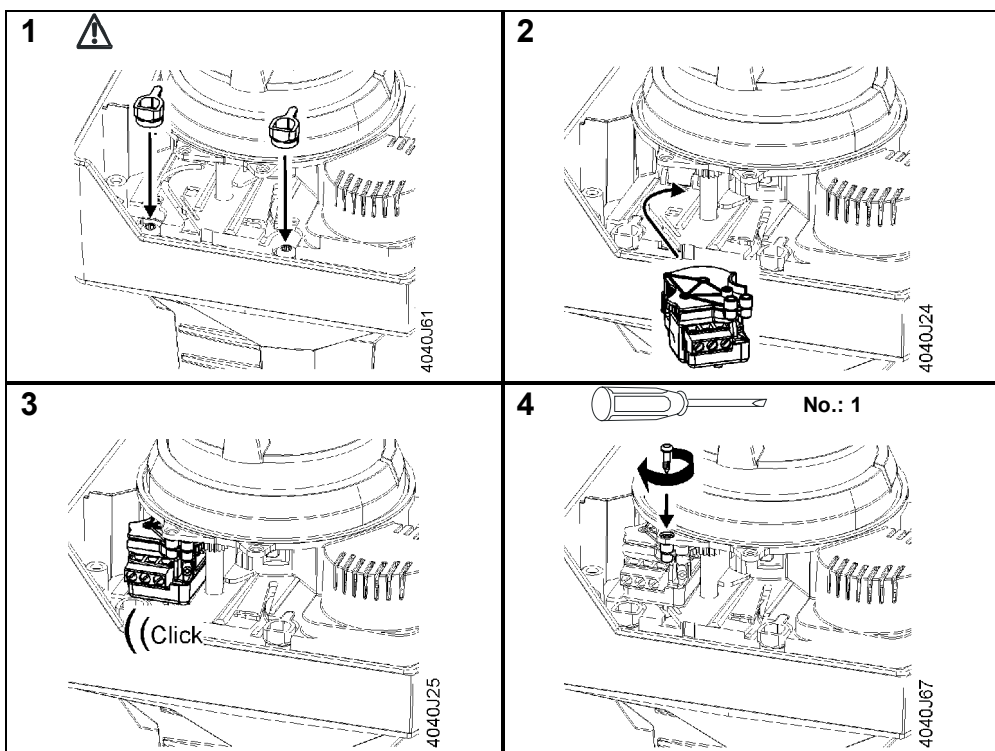


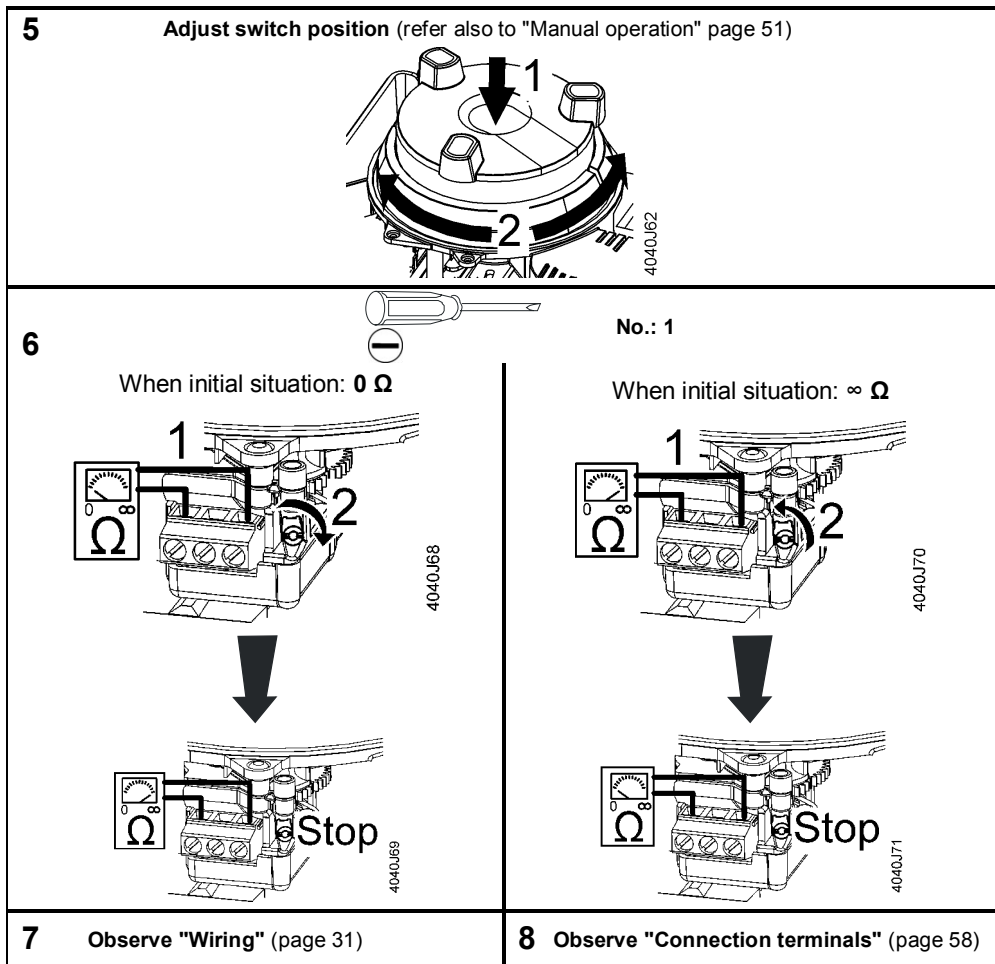


Plug-in space B

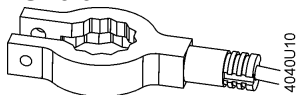


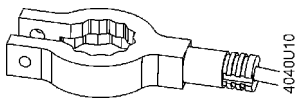

- First, observe "Special notes on mounting" (page 26).
- **First, fit the screw covers – otherwise danger of life!**





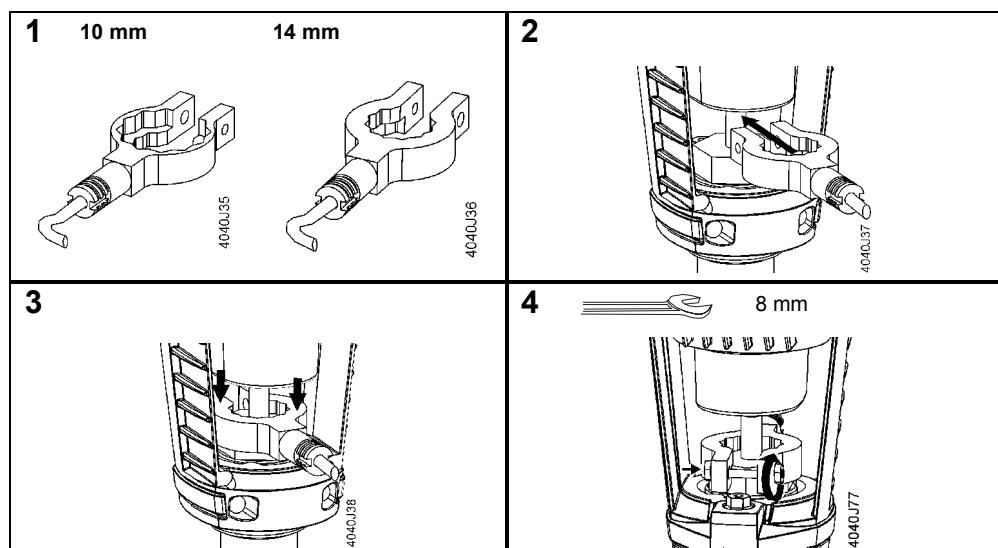
Stem heating element ASZ6.6



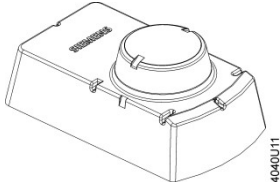
Scope of delivery	
1 stem heating element ASZ6.6	1 screw
	1 pc. M4 x 30 incl. nut 

When fitting the stem heating element, stroke actuator and valve must be assembled. The stem heating element is powered separately.

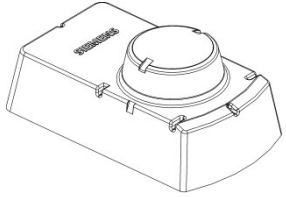
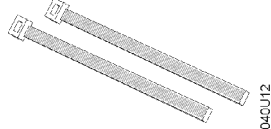
First, observe "Special notes on mounting" (page 26).



**Weather shield
ASK39.1**

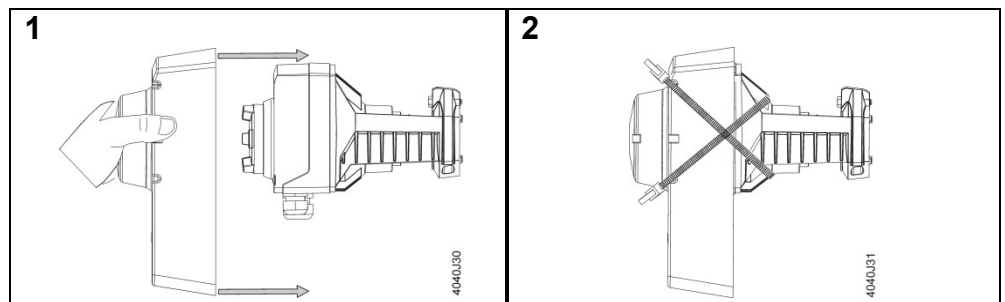


First, observe "Special notes on mounting" (page 26).

Scope of delivery	
Weather shield ASK39.1	2 UV-proof cable ties
	

Notes

- To protect the actuator when used outdoors, the weather shield must always be fitted.
- If fitted several times, 2 UV-proof cable ties (800 x 4 mm) must be used.
- The manual adjuster can not be used when the weather shield is mounted.

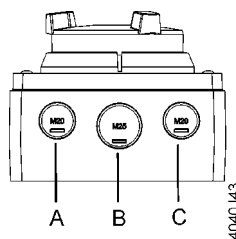
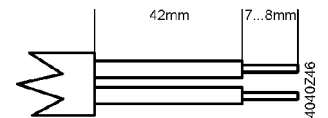


3.1.8 Wiring (installation)

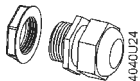
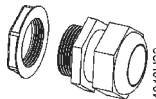
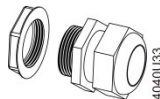
Conduct the electrical connections in accordance with local regulations on electrical installations as well as the "Connection diagrams" on page 58.

Preparation of wire endings

The cable endings must be prepared before as follows.



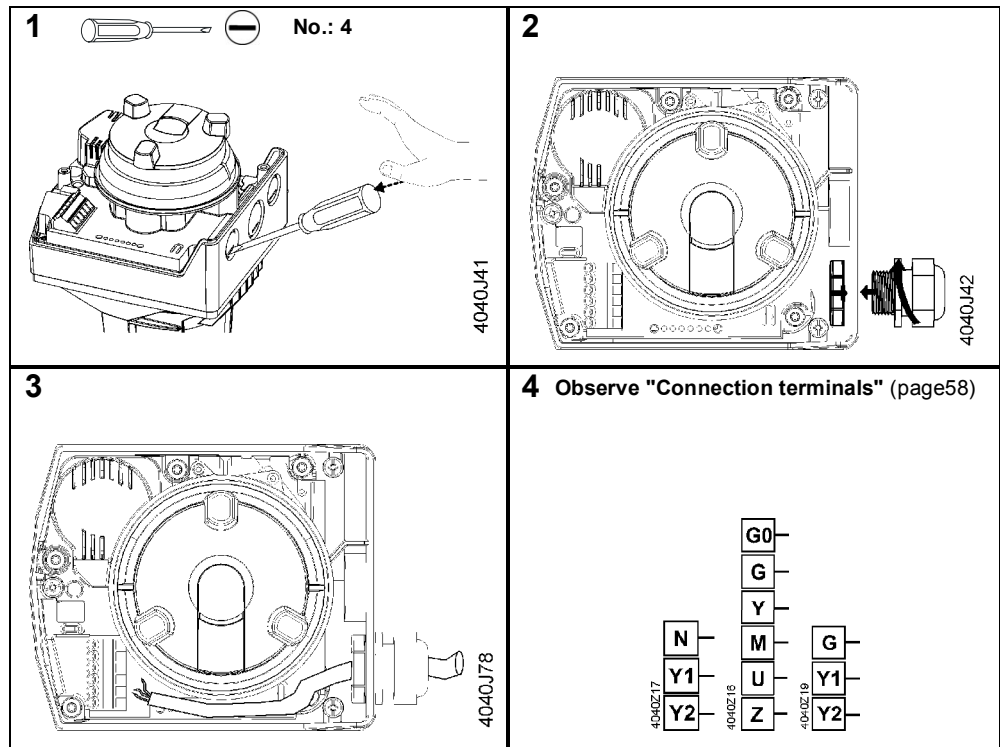
A	EU: M20 US: 1/2"	Standard	Connection actuator
B	EU: M25 US: 1/2"	Ground cable for outdoor installation	
C	EU: M20 US: 1/2"		Connection accessories

Cable glands (not contained in scope of delivery)		
Metric	Metric	Inch thread
M20	M25	1/2"
		

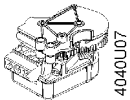
Prior to installation, the following preconditions must be satisfied:

- Actuator is mechanically connected to a Siemens valve.
- Housing cover is removed (step 6 "Special notes on mounting", page 26).

Actuator

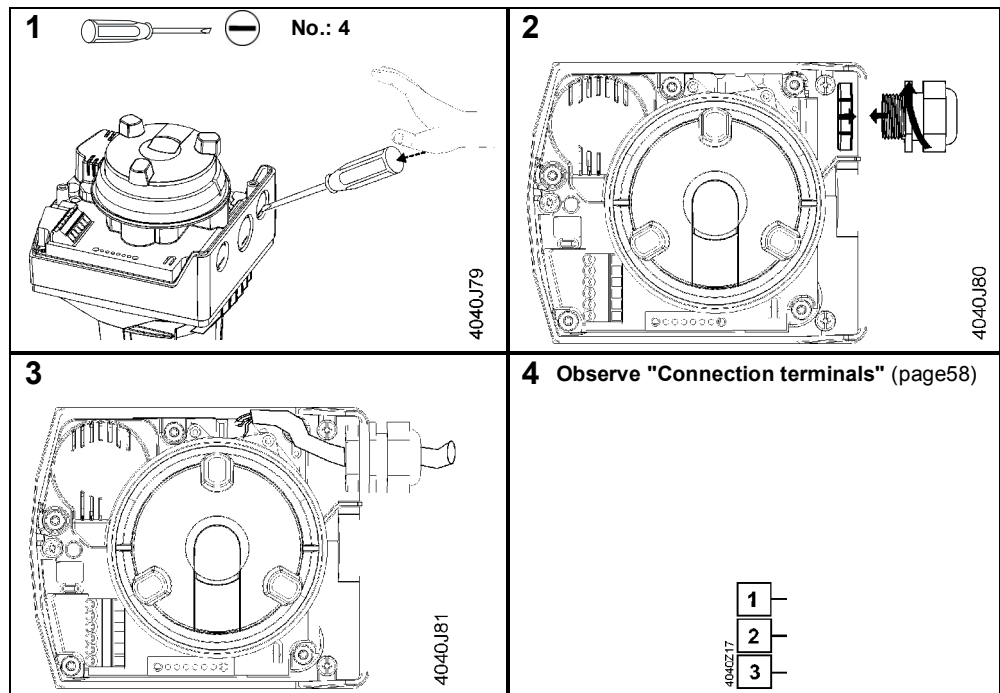
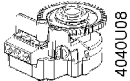


Auxiliary switch ASC10.51



and

Potentiometer ASZ7.5/..



3.2 Commissioning and operation

3.2.1 Function check and Calibration

Mechanically

Before making the function check, the following preconditions must be satisfied:

- Environmental conditions specified in chapter "Technical data" (page 55)
- Actuator is mechanically connected to a Siemens valve
- **Actuator is in "Manual operation" mode** (page 51).

The actuator can be operated with the help of the "Manual adjuster" (see page 51).

Manual adjuster	Stroke actuator	Rotary actuator	Control path valve A→AB	Bypass valve B → AB
Turning in clockwise direction	Actuator's stem extends	Actuator's spindle turns in clockwise direction	Opening	Closing
Turning in counter-clockwise direction	Actuator's stem retracts	Actuator's spindle turns in counterclockwise direction	Closing	Opening

Notes

- Ensure that the actuator's and valve's stem, or actuator's and valve's spindle are securely connected in all positions.
- If the actuator is forced to travel beyond its end positions, overload protection responds.
- Observe information given in chapter "Acting direction and flow characteristic" on page 44.

Electrically

Before making the function check, the following preconditions must be satisfied:

- Environmental conditions specified in chapter "Technical data" (page 55).
- Actuator is mechanically connected to a Siemens valve.
- **Actuator is in "Automatic" mode** (page 51).
- Actuator and, if required, accessories are correctly fitted and connected. Also refer to "Connection terminals" (page 58).
- Power is applied.

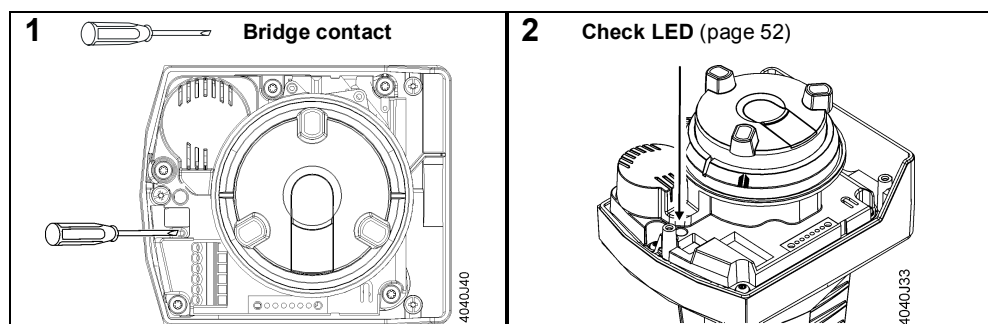
SA..61..

Calibration is required with modulating actuators and SA..61.. before the function check.

General notes on calibration

Before making the calibration, the following preconditions must be satisfied:

- A description of the calibration function is given in chapter "Calibration" (page 44).
- Housing cover is removed (step 6 "Special notes on mounting", page 26).



If required, calibration can be repeated any number of times.

Make the function check for modulating actuators after the calibration with a point test according to the following table:

Connection terminals	Stroke actuator	Rotary actuator	Control path valve A→AB	Bypass valve B → AB	Position feedback U
Y 6 V 13.6 mA	Actuator's stem extends (60%)	Actuator's spindle turns in clockwise direction (60 %)	Opening	Closing	6 V
Y 5 V 12 mA	Actuator's stem retracts (50%)	Actuator's spindle turns in counterclockwise direction (50 %)	Closing	Opening	5 V
"Z" connected to "G"	Actuator's stem extends	Actuator's spindle turns in clockwise direction	Opening	Closing	10 V
"Z" connected to "G0"	Actuator's stem retracts	Actuator's spindle turns in counterclockwise direction	Closing	Opening	0 V

SA..31.. and SA..81..

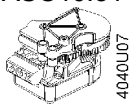
Make the function check for 3-position actuators according to the following table:

Connection terminals	Stroke actuator	Rotary actuator	Control path valve A→AB	Bypass valve B → AB
Voltage at Y1	Actuator's stem extends	Actuator's spindle turns in clockwise direction	Opening	Closing
Voltage at Y2	Actuator's stem retracts	Actuator's spindle turns in counterclockwise direction	Closing	Opening
No voltage at Y1 and Y2	Actuator's stem maintains the position	Actuator's spindle maintains the position	Maintains the position	

Notes

- If function module AZX61.1 is used, observe information given in chapter "Changeover of acting direction" (page 42).
- Observe information given in chapter "Acting direction and flow characteristic" on page 44.

Auxiliary switch
ASC10.51



Make the function check for mounted auxiliary switches according to the following table – example switching point at 25% position:

Connection terminals		Stroke actuator	Rotary actuator	Terminal S1 – S3	Terminal S1 – S2
Voltage at Y2	Y = 0 V	Actuator's stem retracts (until end position is reached)	Actuator's spindle turns in counter-clockwise direction (until end position is reached)	-	-
No voltage at Y1 und Y2	Y = 0 V	Actuator's stem maintains the position	Actuator's spindle maintains the position		
Voltage at Y1 for desired valve position % + 2% x positioning time Example: SAX31.00 = 27% x 120 sec = 32.5 sec	Valve position % + 2% Y = 2.7 V	Actuator's stem extends to desired position (27%)	Actuator's spindle turns in clockwise direction to desired position (27%)		
Check switching point with voltmeter		Actuator's stem maintains the position	Actuator's spindle maintains the position	-	-

Potentiometer ASZ7.5



Make the function check for mounted potentiometer according to the following table (Example values for ASZ7.5/1000):

Connection terminals		Stroke actuator	Rotary actuator	Terminal P1 – P2	Terminal P2 – P3
Voltage at Y2		Actuator's stem retracts (until end position is reached)	Actuator's spindle turns in counter-clockwise direction (until end position is reached)	-	-
No voltage at Y1 und Y2		Actuator's stem maintains the position	Actuator's spindle maintains the position	< 1 Ω	> 996 Ω
Voltage at Y1 for desired valve position % positioning time Example: SAX31.00 = 75% x 120 sec = 90 sec		Actuator's stem extends to desired position (75%)	Actuator's spindle turns in clockwise direction to desired position (75%)	-	-
Check position value with ohmmeter		Actuator's stem maintains the position	Actuator's spindle maintains the position	~ 560 Ω	~ 436 Ω
Voltage at Y2 for desired change of valve position % x positioning time Example: SAX31.00 = 10% x 120 sec = 12 sec		Actuator's stem retracts to desired position (65%)	Actuator's spindle turns in counter-clockwise to desired position (65%)	-	-
Check position value with ohmmeter		Actuator's stem maintains the position	Actuator's spindle maintains the position	~ 485 Ω	~ 511 Ω

Maintenance

The actuators are maintenance-free.

3.2.2 Disposal



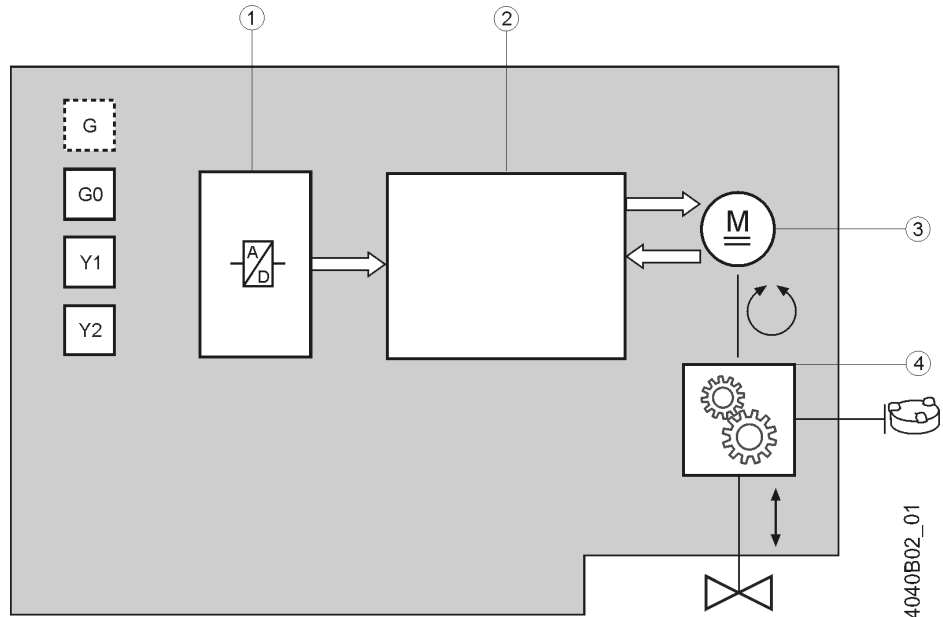
The products contain electrical and electronic components and must not be disposed of together with domestic waste. This applies in particular to the printed circuit board.

Legislation may demand special handling of certain components, or it may be sensible from an ecological point of view.

Observe all local and currently valid legislation.

4 Functions and control

4.1 3-position control



A 3-position signal drives the actuator via connection terminals Y1 or Y2. The required position is transferred to the valve.

1	A/D conversion	
2	Control functions	Identification of seat
		Control of direction
		Motor control
		Manual adjustment
3	Brushless DC motor	
4	Gear train	
	Manual adjuster	

Positioning signal	Stroke actuator	Rotary actuator	Control path valve A→AB	Bypass valve B → AB
Voltage at Y1	Actuator's stem extends	Actuator's spindle turns in clockwise direction	Opening	Closing
Voltage at Y2	Actuator's stem retracts	Actuator's spindle turns in counter-clockwise direction	Closing	Opening
No voltage at Y1 and Y2	Actuator's stem maintains the position	Actuator's spindle maintains the position	Maintains the position	

Note

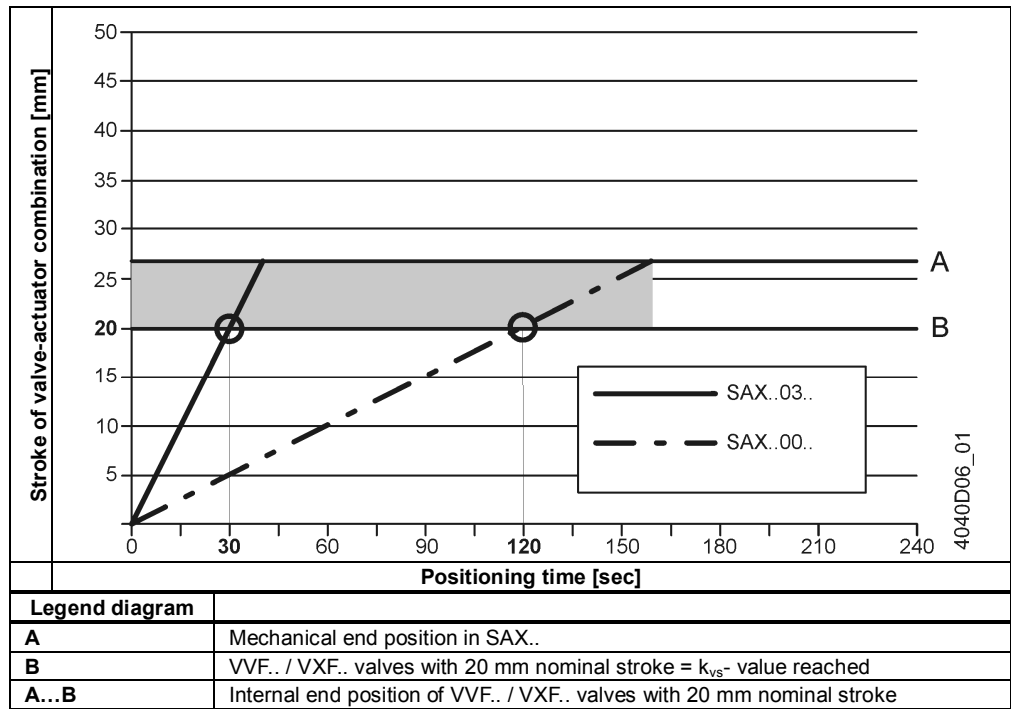
Observe information given in chapter "Acting direction and flow characteristic" on page 44.

Internal control ensures very constant positioning times and determination of the actuator's position.

Positioning times stroke model

The specified positioning times refer to the respective nominal stroke / nominal angular rotation. Since the end positions of rotary actuators are inside the actuator, the following remarks refer to stroke actuators.

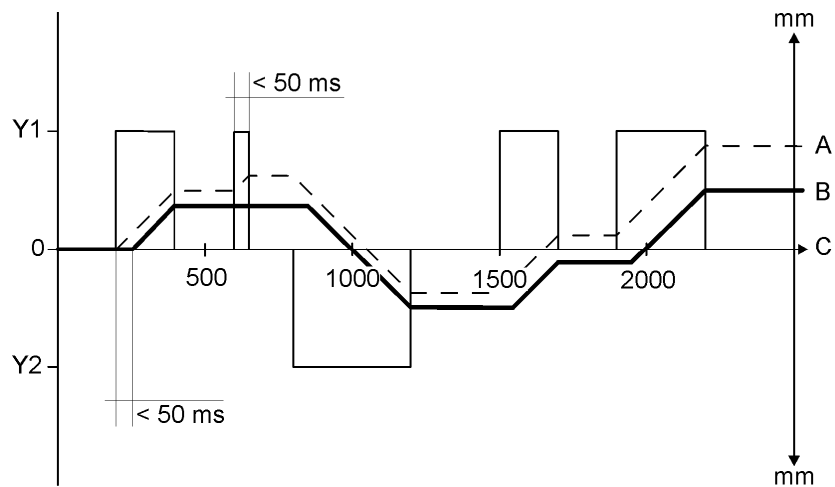
The resulting effective strokes vary, depending on the type of valve, resulting in shorter or longer actuator positioning times.



Notes

Deviations occur...

- after several positioning signals Y1 and Y2 in the same direction since the stroke movement starts with a delay of 200 ms.
- when positioning signals Y1 and Y2 are active for less than 200 ms since the stroke movement cannot be made in that case.



A	B	C	Y1	Y2	0
Calculated position	Actual position	Positioning time [ms]	Positioning signals (power applied)		No power applied

Accurate position feedback is made possible with the help of a potentiometer (page 53).

Notes

4.1.1 Combination with RVD.. controller for direct domestic hot water distribution by heat exchanger

The design based slow reaction on control signals of SAX31.. and SAX81.. actuators doesn't allow the actuator to react on very short control pulses. Only control pulses with a length greater than 400 ms allow a sufficient reaction.

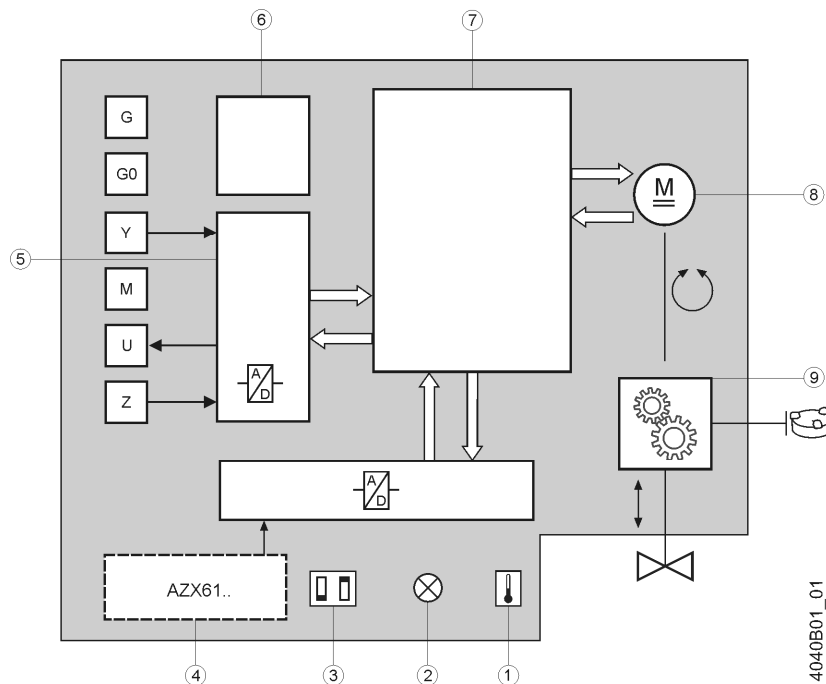
Especially the direct domestic hot water control does not allow such long control pulses. The specific optimized control loops – equipped with an SIGMAGYR RVD.. controller and Acvatix SQS359.05 actuator– work with pulses down to 40 ms.

SAX31.. and SAX81.. are not able to work with these short pulses.

The following table gives alternatives which actuators can be used within these control loops.

Controller	Plant type	Prefered actuator	Valve line	DN	kvs
RVD130	4 und 5	SQS35.03	VVG55..	DN15 ..25	0.25 .. 6.3
RVD135/109		SQS359.05	VVG549..	DN15 ..25	0.25 .. 6.3
RVD135/309		SQS359.54	VVG549..	DN15 ..25	0.25 .. 6.3
RVD140		SKD32.21	VVG41..	DN15 ..50	0.63 .. 40
RVD144/109			VVF53..		0.16 .. 40
RVD145/109		SKD32.21E		DN15 ..50	0.63 .. 40
RVD139					0.16 .. 40
RVD230	x- 4	SQS35.03	VVG55..	DN15 ..25	0.25 .. 6.3
RVD235/109		SQS359.05	VVG549..	DN15 ..25	0.25 .. 6.3
RVD250		SQS359.54	VVG549..	DN15 ..25	0.25 .. 6.3
RVD255/109		SKD32.21	VVG41..	DN15 ..50	0.63 .. 40
RVD240			VVF53..		0.16 .. 40
RVD245/109		SKD32.21E	VVG41..	DN15 ..50	0.63 .. 40
RVD260			VVF53..		0.16 .. 40
RVD265/109					

4.2 Modulating control



The modulating positioning signal drives the actuator steplessly. The positioning signal range (DC 0...10 V / DC 4...20 mA, 0...1000 Ω) corresponds in a linear manner to the positioning range (fully closed...fully open, or 0...100 % stroke).

The actuator is driven via connection terminal Y or forced control Z (page 49). The required stroke / rotation is transferred to the valve's stem / spindle.

1	Calibration slot	
2	LED (2 colors)	
3	DIL switches	Changeover of characteristic
		Positioning signal
4	Function module	
5	A/D conversion	
6	Power supply	
7	Control functions	Identification of seat
		Position control
		Motor control
		Detection of foreign bodies
		Calibration
		Forced control
		Characteristics function
8	Brushless DC motor	
9	Gear train	
		Manual adjuster

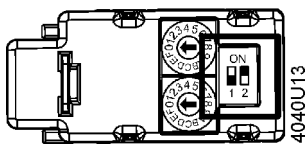
Positioning signal	Stroke actuator	Rotary actuator	Control path valve A → AB	Bypass valve B → AB
Signal Y, Z increasing	Actuator's stem extends	Actuator's spindle turns in clockwise direction	Opening	Closing
Signal Y, Z decreasing	Actuator's stem retracts	Actuator's spindle turns in counterclockwise direction	Closing	Opening
Signal Y, Z constant	Actuator's stem maintains the position	Actuator's spindle maintains the position	Maintains the position	

Notes

- If function module AZX61.1 is used, observe the information given in chapter "Changeover of acting direction" (page 42).
- Observe the information given in chapter "Acting direction and flow characteristic" on page 44.

4.3 Function module AZX61.1

DIL switches



	Acting direction	Sequence control
OFF ¹⁾	 Direct acting positioning signal Y or Z	 Sequence control not active
ON ¹⁾	 Reverse acting positioning signal Y or Z	 Sequence control (signal adaptation)

¹⁾ Factory setting: All switches set to OFF

4.3.1 Sequence control (signal adaptation)

DIL switches

	Sequence control
ON ¹⁾	 Sequence control (signal adaptation)

¹⁾ Factory setting: All switches set to OFF

HEX switches

Nr.: 1

4040U14

Setting sequence control

Rotary switches LO and UP are used to set the starting point or working range of a sequence.

Position "LO"	Starting point	Position "UP"	Working range
0	0,3 V	0	9,4 V
1	1 V	1	3 V
2	2 V	2	4 V
3	3 V	3	5 V
4	4 V	4	6 V
5	5 V	5	7 V
6	6 V	6	8 V
7	7 V	7	9 V
8	8 V	8	10 V
9	9 V	9	12 V
A	10 V	A	14 V
B	11 V	B	16 V
C	12 V	C	18 V
D	13 V	D	20 V
E	14 V	E	25 V
F	15 V	F	30 V

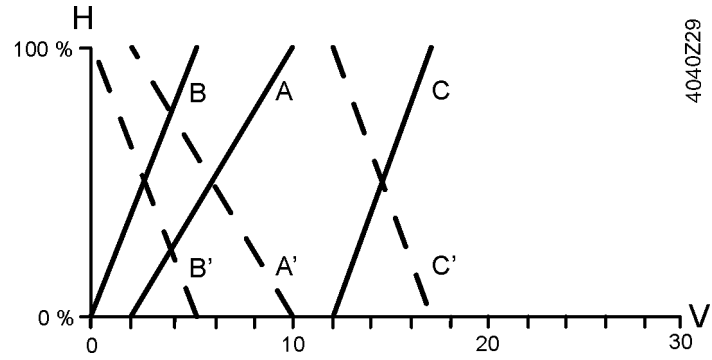
Invalid HEX switches combinations

LO	0	1	2	3	4	5	6	7	8	9	A	B	C	D	E	F
UP		F	F	F	F	F	F	F	F	F	F	D	D	C	C	B
UP							E	E	E	E	E	E	E	D	D	C
UP												F	F	E	E	D
UP														F	F	E
UP																F

Notes

- Can only be used with voltage input.
- Maximum input voltage is DC 30 V. If the configuration is invalid, the actuator operates on DC 0...10 V.

Examples

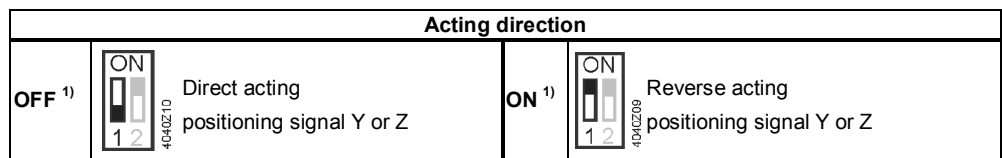


4040Z29

Legend diagram	Positioning signal range	Position LO	Position UP	Position feedback U
A	DC 2...10 V	2	6	DC 0...10 V
B	DC 0...5 V	0	3	DC 0...10 V
C	DC 12...17 V	C	3	DC 0...10 V
H	Stroke or rotary angle			
	Acting direction: Direct (A, B, C)			
	Acting direction: Reverse (A', B', C')			

4.3.2 Changeover of acting direction

DIL switches



¹⁾ Factory setting: All switches set to OFF

Selecting the acting direction

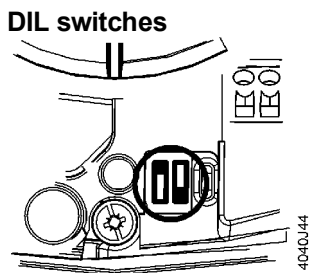
- With valves whose stem is extended in the fully closed position, "direct acting" means that the valve is fully closed (0 %) when positioning signal Y = 0 V resp. Z = 0 Ω. This applies to all Siemens valves according to "Equipment combinations" (page 10).
- With valves whose stem is retracted in the fully closed position, "direct acting" means that the valve is fully open (100 %) when positioning signal Y = 0 V resp. Z = 0 Ω.



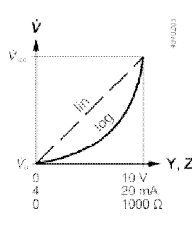


The graph shows V (0% to 100%) vs Y, Z (0 V to 10 V, 4 mA to 20 mA, 0 Ω to 1000 Ω). A solid line represents direct acting (0V to 10V) and a dashed line represents reverse acting (10V to 0V).

	Direct acting	Reverse acting
	0 % ↓ 100 % Y, Z	100 % ↑ 0 % Y, Z
Positioning signal Y:	DC 0...10 V	4...20 mA
Positioning signal Z:	0...1000 Ω	

Y, Z	Positioning signal
V	Volumetric flow
	Acting direction: Direct
	Acting direction: Reverse

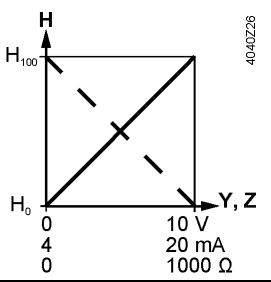
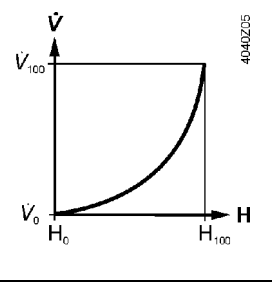
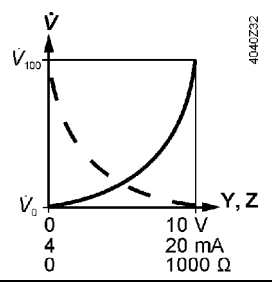
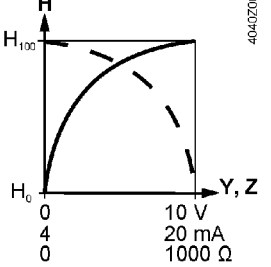
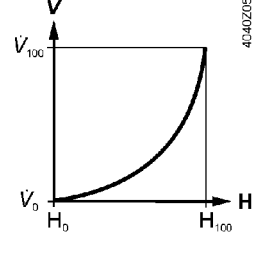
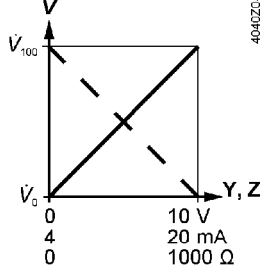
4.4 Positioning signal and flow characteristic selection



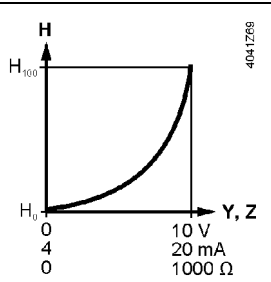
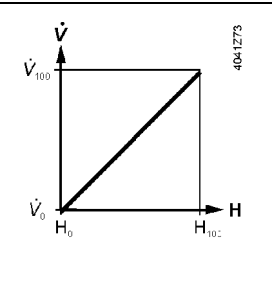
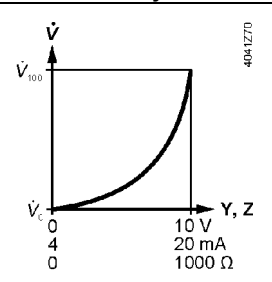
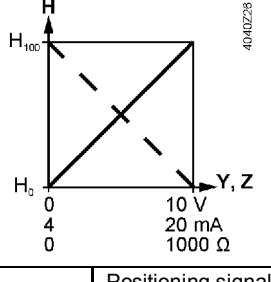
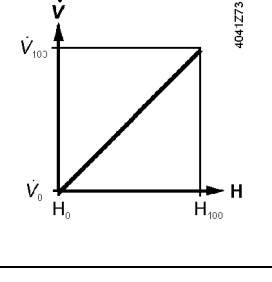
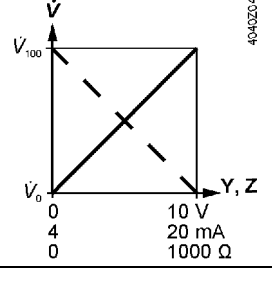
	Positioning signal "Y"	Position feedback "U"	Flow characteristic	
OFF ¹⁾	 DC 0...10 V	DC 0...10 V	 log = equal-percentage	
ON	 DC 4...20 mA	DC 0...10 V	 lin = linear	

¹⁾ Factory setting: All DIL switches set to OFF Ω

Flow characteristic SAX61.03 + VVF..

	Actuator	Valve VVF.. / VVG41..	Totally
log			
lin			

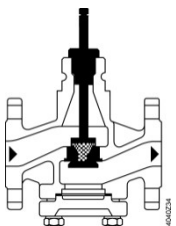
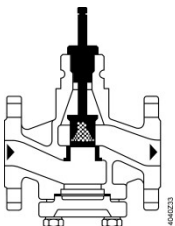
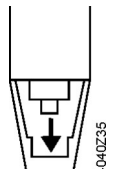
Flow characteristic SAX61P03 + VPF..

	Actuator	Combi-Valve VPF43/VPF53	Totally
log			
lin			
Y, Z	Positioning signal		
H	Stroke		
V	Volumetric flow		
————	Acting direction: Direct		
- - - - -	Acting direction: Reverse		

4.5 Acting direction and flow characteristic


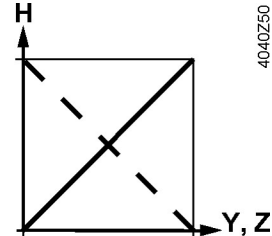
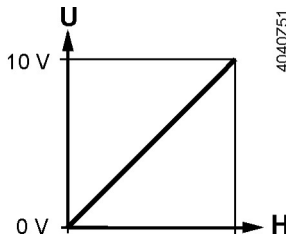

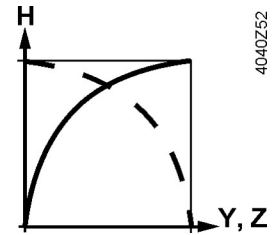
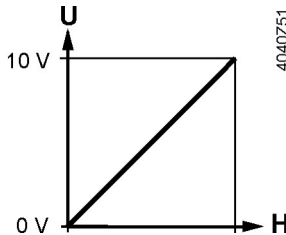
The selection of changeover of acting direction and characteristic with the DIL switches depends on the type of actuator (with or without fail safe function) and the associated type of valve (valve characteristic, push to open, pull to open).

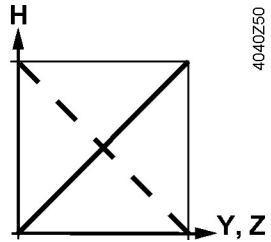
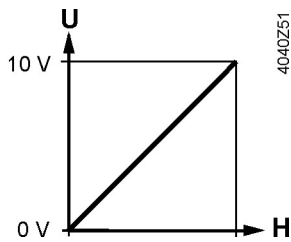
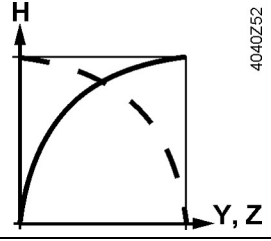
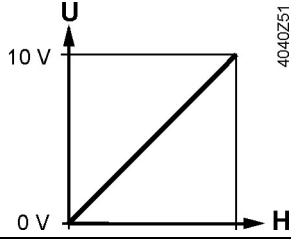
When the positioning signal increases (DC 0...10 V, DC 4...20 mA, 0...1000 Ω), the objective is to have the valve's volumetric flow V rising, but to fully open the valve, $V = 100\%$ (NO = normally open), or to fully close it, $V = 0\%$ (NC = normally closed) in the event of a power failure.

						
 4040Z35	DIL switches	Acting direction	Direct		Reverse	
		Flow characteristic	Linear	Equal-percentage	Linear	Equal-percentage
	Without fail safe function	No power applied	Maintains the position			

4.6 Position Feedback U

The position feedback U (DC 0...10 V) is always proportional to stroke H of the actuator's stem.

		Actuator Positioning signal Y, Z	Actuator Position feedback U
 4040Z12	log = equal-percentage	 4040Z50	 4040Z51
 4040Z11	lin = linear	 4040Z52	 4040Z51

	Actuator Positioning signal Y, Z	Actuator Position feedback U
Direct acting	 4040Z50	 4040Z51
Reverse acting	 4040Z52	 4040Z51
Y, Z	Positioning signal	
H	Stroke	
U	Position feedback	
—	Acting direction: direct	
- - -	Acting direction: reverse	

4.7 Position control with ClosedPosition Synchronisation

Within SAX/SAL61.. actuators the position control works based on the HALL-sensor pulses from the brushless DC-motor calculating with an internal stroke model calculating the actual position. This kind of control is more accurate and wearless compared with a physical element for position measurement and grants a precise position control with high resolution.

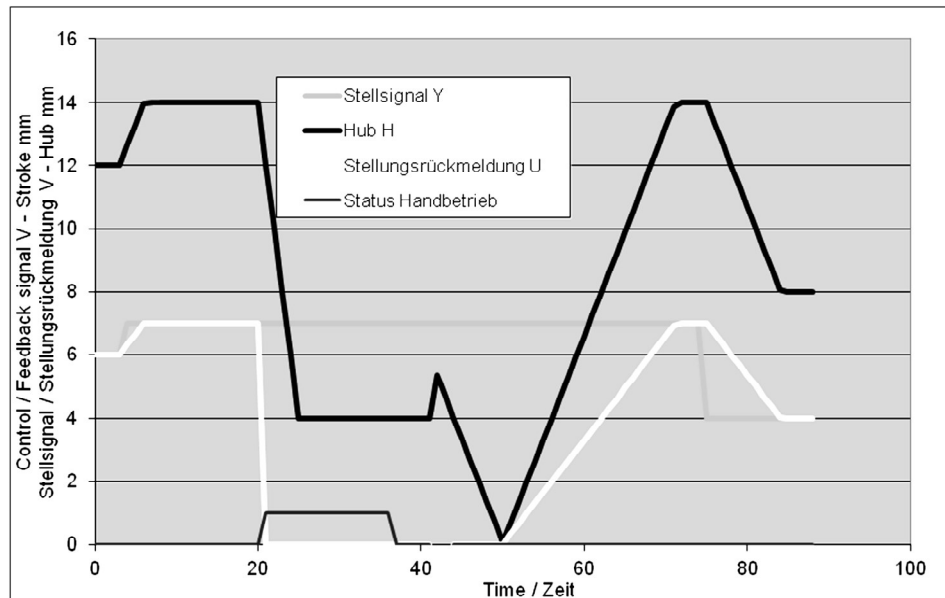
During manual operation the motor is declutched from the geartrain and the internal position control get's not sensor pulses. So real position will deviate from the internally calculated position. As a consequence the position feedback on terminal U is set to "0V" during manual operation.

To grant – after manual operation – that real mechanical position and internal position control are matching the SAX61.. does after manual operation an automatic ClosedPosition-Synchronisation.

4.7.1 ClosedPosition-Synchronisation

Returned into automatic operation the actuator runs for 0.5.. 2 s into opening direction to grant secure closed-position detection. Then the actuator runs into closed position (seat A-AB in the valve). Reaching the closed position the internal stroke model is synchronized. Positioning signal, position feedback and meachanical position now match perfectly again. With this function it's granted that the position feedback U – which was zero during manual operation and synchronization - always represents the real mechanical position of the actuator.

After synchronization the actuator follows the control signal again.



4.7.1.1 Active forced position input on Z

If after return to automatic mode a signal on Z is active (GND, AC/DC 24 V or 0...1000 Ohm) the ClosedPosition-Synchronisation is deactivated as long as the signal on Z remains. After Z is deactivated the ClosedPosition-Synchronisation will be performed.

Note

ClosedPosition-Synchronisation is only automatically activated after manual operation. A power failure does not activate this function automatically, to avoid that all actuators in a section close in parallel.

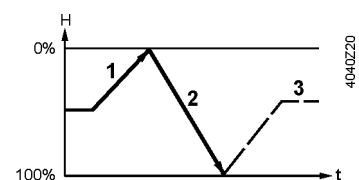
If the customer likes synchronization also after a power failure he should take care that the plant restarting routine drives the actuator automatically into an end position. This will also synchronise the internal position control and the real position.

4.8 Calibration

To match the actuator to production-related mechanical tolerances of the individual valves, accurate positioning and position feedback must be ensured, if calibration is performed when the plant is commissioned (page 33). During commissioning, the actuator detects the valve's end positions and files the exact stroke in its internal memory.

Calibration takes place in the following phases:

- Actuator drives to H_0 (1), valve closes. Detection of upper end position.
- Actuator drives to H_{100} (2), valve opens. Detection of lower end position.
- The detected values are stored (3). Then the actuator follows the positioning signal.




Note

- Observe status indication (LED) during and after calibration (page 52).
- If the actuator does not detect the second end position within an appropriate stroke range (max. 25 mm), the first end stop will be adopted and the actuator operates with a working range of 20 mm.

4.9 Signal priorities

The actuators are controlled via different interlinked positioning signal paths (positioning signal "Y", forced control input "Z", manual adjuster). The signal paths are assigned the following priorities:

Priority	Description	
1 (highest)	The manual adjuster always has priority 1, thus overriding all signals active at "Z" or "Y", independent of whether or not power is applied.	
2	Only SA..61..: As soon as a valid positioning signal is active at input "Z", the position is determined via positioning signal "Z" (forced control). Prerequisite: The manual adjuster is not used.	Z
3 (lowest)	The position is determined via positioning signal "Y". The manual adjuster is not used and on Z there is no active signal.	Y

Examples

Manual adjuster	Forced control (Z)	Positioning signal (Y)	Stroke actuator	Rotary actuator
Automatic mode	Not connected	5 V	Actuator's stem travels to position (50%)	Actuator's spindle travels to position (50%)
Automatic mode	G	3 V	Actuator's stem extends	Actuator's spindle turns in clockwise direction
Automatic mode	G0	3 V	Actuator's stem retracts	Actuator's spindle turns in counter-clockwise direction
Operated (30%) and engaged	G	8 V	Actuator's stem retracts manual (to 30%)	Actuator's spindle turns manual in counterclock-wise direction (to 30%)

Bold printing = positioning signal currently active

4.10 Detection of valve seat

The actuators feature force-dependent valve seat detection. After calibration, the exact valve stroke is filed in the actuator's memory. When the actuator reaches the respective end of stroke, it does not hit the valve's seat at full speed, but stops for 5 seconds at about 1% before the stored position is reached. If the positioning signal stays at 0% or 100%, the actuator travels to the calculated end position at reduced positioning speed and builds up the required nominal force.

This function extends the actuator's service life since the dynamic forces are reduced when approaching the valve seat and there will be less strain on the gear train.

In addition, the actuator's oscillations in the case of instable control are suppressed.

If no force is built up in the calculated end position (e.g. in the event of temperature effects for instance), the actuator continues to operate at a reduced positioning speed until the nominal positioning force is restored. This ensures that the valve always fully closes.

After a power failure, valve seat identification is not active – the actuators define their stroke position on power resoration to be at 50%. From now on, the actuator follows the positioning signal.

When the valve plug reaches its seat for the first time, the actuator readjusts its stroke model.

Example

The supposed position is 50%, Y = 2 V, the actuator travels 30% of the stored valve stroke in the direction of "Actuator's stem retracted".

If the actuator reaches the seat within this 30% travel, it interprets the position as "Valve fully closed" and shifts the position of the valve's stroke accordingly without changing the extent of travel.

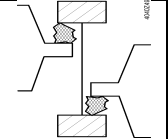
From now on, the actuator follows the changed valve stroke position.

This means: New position 0%, Y = 2 V, actuator travels 20% of the stored valve stroke in the direction "Actuator's stem extended".

4.11 Detection of foreign bodies

The actuator detects when the valve is clogged and adjusts its operational behavior accordingly to prevent damage to itself or the valve.

If the actuator hits an obstacle within the calibrated stroke and is not able to overcome it with its nominal positioning force, it stores the position at which the obstacle was hit. Depending on the direction of travel, as ...

- | | |
|--|---|
| <ul style="list-style-type: none">• "Lower limit of valve clogging", if the clogging was detected when traveling in the direction of "Actuator's stem retracting". |  |
| <ul style="list-style-type: none">• "Upper limit of valve clogging", if the clogging was detected when traveling in the direction of "Actuator's stem extending". | |

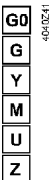
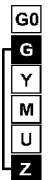
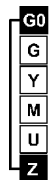
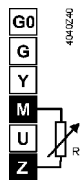
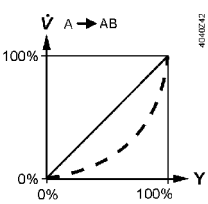
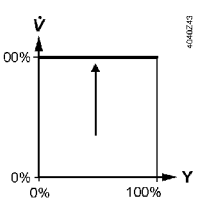
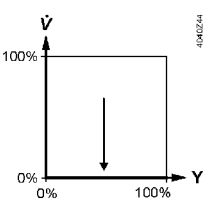
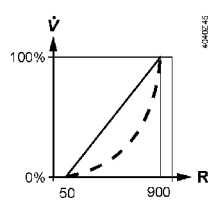
Now, the status LED blinks green and the actuator only follows the positioning signal between the positions "Actuator's stem retracted" and "Upper limit of valve clogging" or "Actuator's stem extended" and "Lower limit of valve clogging".

After detection of clogging, 3 attempts are made to overcome clogging by traveling about 15% in the opposite direction and then trying again to overcome the position of clogging. If the attempts made are unsuccessful, the actuator continues to follow the positioning signal within the restricted range only and the LED continues to blink green (refer to "Indicators" on page 52).

4.12 Forced control Z

SA..61.. only

Forced control is affected by changeover of acting direction. It uses the following operating modes:

		Z-mode			
		No function	Fully open	Fully closed	Overriding positioning signal "Y" by 0...1000 Ω
Connections					
	Transmission				
		Equal-percentage or linear characteristic			Equal-percentage or linear characteristic
		Contact "Z" not connected, valve follows positioning signal "Y"	Contact "Z" is connected directly to "G", positioning signal "Y" has no impact	Contact "Z" is connected directly to "G0", positioning signal "Y" has no impact	Contact "Z" is connected to "M" via resistor "R", starting point at 50 Ω, end point at 900 Ω, positioning signal "Y" has no impact

Note

The operating modes "Z" shown are based on factory setting "direct acting" and a "push to open" valve.

4.13 Technical and mechanical design

4.13.1 Transmission of power

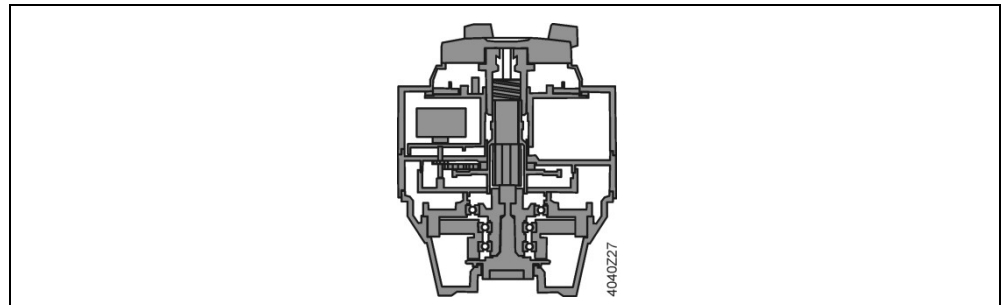
Function principle

Incoming positioning signals are translated to positioning commands for the motor.

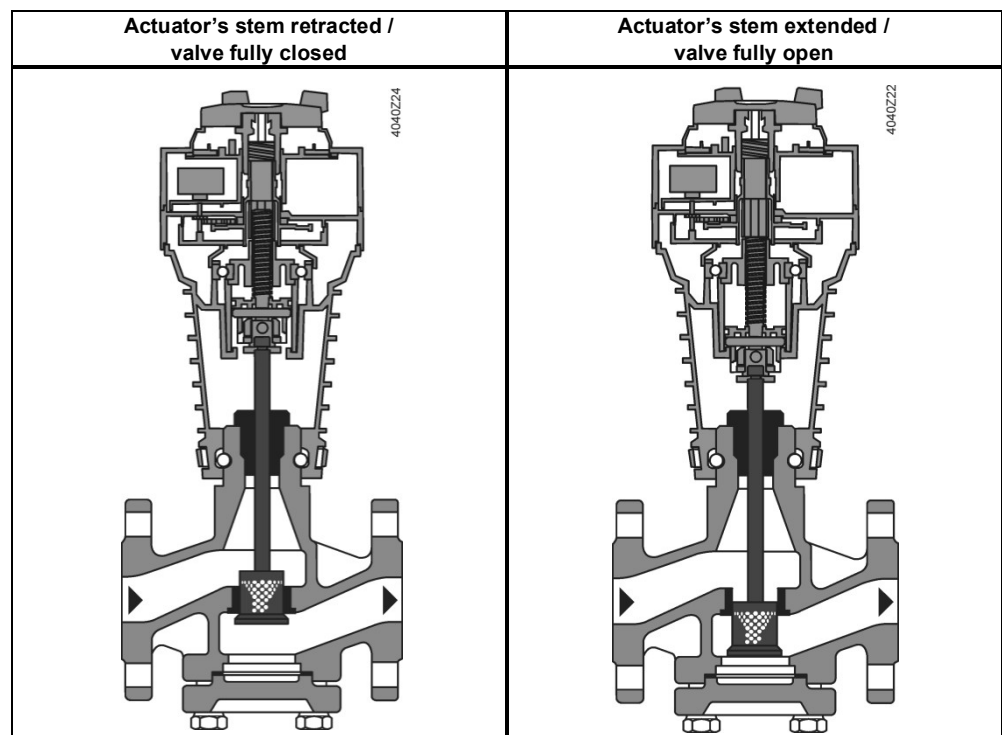
A gear train transmits the motor's positioning steps to the output stage (valve coupling). Attached to the gear train are the electrical and mechanical accessory items and the manual adjuster.

In the case of the rotary actuators, the adjustment to the required torque is made in the output stage. With the stroke actuators, the translation from rotary to stroke movement takes place in the output stage.

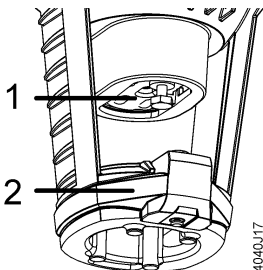
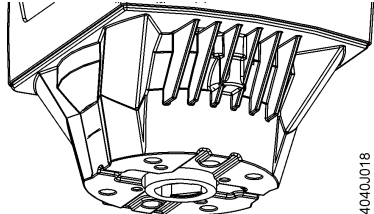
SAL..



SAX..

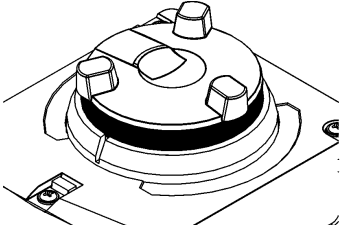


4.13.2 Coupling

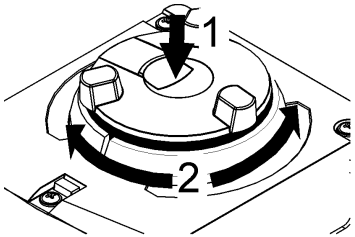
SAX.., SAV..	SAL..
 <p style="text-align: right; font-size: small;">4040J17</p>	 <p style="text-align: right; font-size: small;">4040J18</p>
<p>The stem coupling (1) and neck coupling (2) ensures full backward compatibility with all types of Siemens large-stroke valves produced since 1975.</p>	<p>Mounting sets are available for use with butterfly and slipper valves.</p>

4.13.3 Manual adjuster

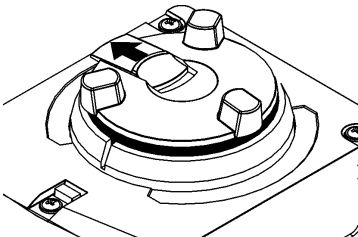
Automatic

 <p style="text-align: right; font-size: small;">4040J12</p>	<p>When the motor drives the manual adjuster turns. Thus in automatic mode, the manual adjuster is used for indication of travel. If the manual adjuster is held firm in this mode, there is no transmission of power to the gear train.</p>
--	--

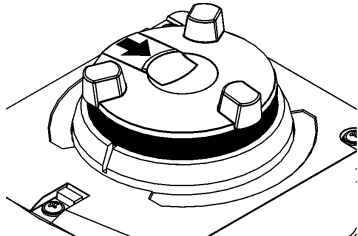
Manual operation

 <p style="text-align: right; font-size: small;">4040J14</p>	<p>When pushing the manual adjuster down (1), it engages and the actuator can be manually operated.</p> <p>Stroke actuator: When turning the manual adjuster in clockwise / counterclockwise direction (2), the actuator's stem retracts / extends.</p> <p>Rotary actuator: The actuator spindle turns in the same direction.</p> <p>An overload protection prevents damage to the manual adjuster</p>
---	--

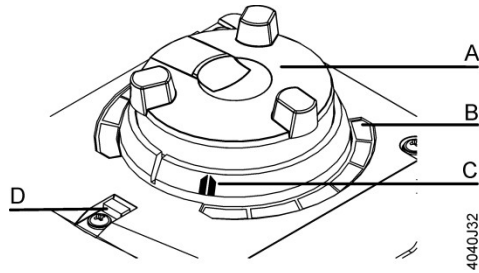
Fixing the position

 <p style="text-align: right; font-size: small;">4040J16</p>	<p>Upon actuation and locking the slide switch, the manual adjuster remains engaged.</p> <p>When in this mode, do not turn the manual adjuster.</p>
---	---

Disengaging the fixing

 <p style="text-align: right; font-size: small;">4040J20</p>	<p>When resetting the slide switch, the manual adjuster returns to automatic mode.</p> <p>->The modulating SAX61.. will automatically start a Zero Position Synchronisation</p>
---	--

4.13.4 Indicators



A	Indication of travel	
B	Scale	Position indication
C	Indicator	
D	LED Status indication	

Operational status indication

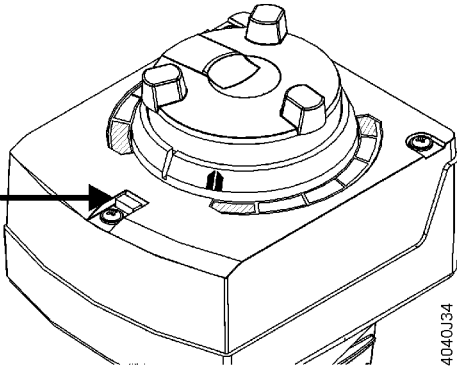
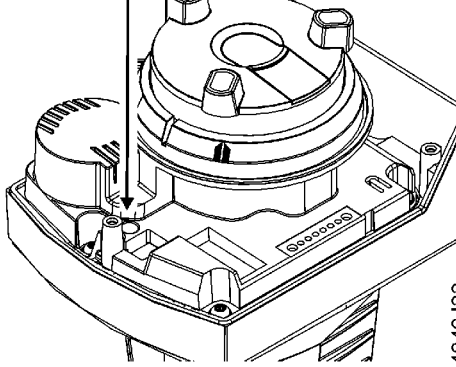
In Automatic mode, the manual adjuster serves for the indication of travel. See "Automatic" (page 51).

Position indication

Position indication is on 2 opposite sides. When turning the manual adjuster, the indicator moves in the same direction.

The scale indicates the stroke. When reaching the stops, the valve is either fully open or fully closed.

Status indication (LED)

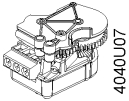
Housing cover fitted	Housing cover removed
	
When the housing cover is fitted, the LED can be viewed through a light conductor.	When the housing cover is removed, the LED can be viewed through a hole.

The status indication informs about the operational state of the actuator.

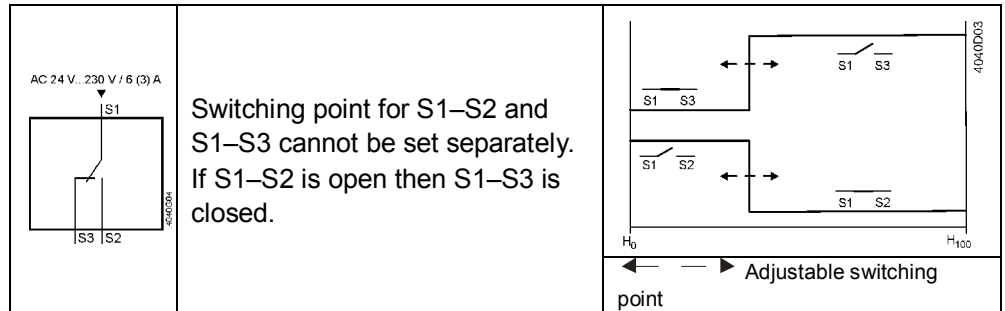
LED	Indication	Operating state	Remarks, troubleshooting
Green	On	Automatic mode	Normal operation
	Blinking	Calibration (page 33).	Wait until calibration is finished (then green or red light)
		In manual mode Detection of foreign bodies (page 48)	Manual adjuster in MAN position Check valve / actuator
Red	On	Calibration error	Start calibration again (page 33)
	Blinking	Clogged valve	Check valve
Dark	Dark	No power or electronics faulty	Check operating voltage

4.13.5 Electrical accessories

Auxiliary switch ASC10.51



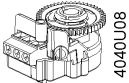
The auxiliary switch ASC10.51 switches on or off when a certain position is reached. The switching point can be set between 0...100%.



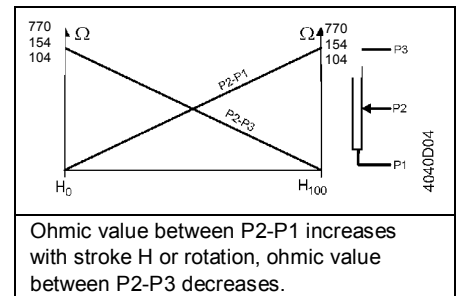
Application example:

When using an auxiliary switch, position feedback can trigger an automatic stop of the circulating pump in the end position "Fully closed".

Potentiometer ASZ7.5/..



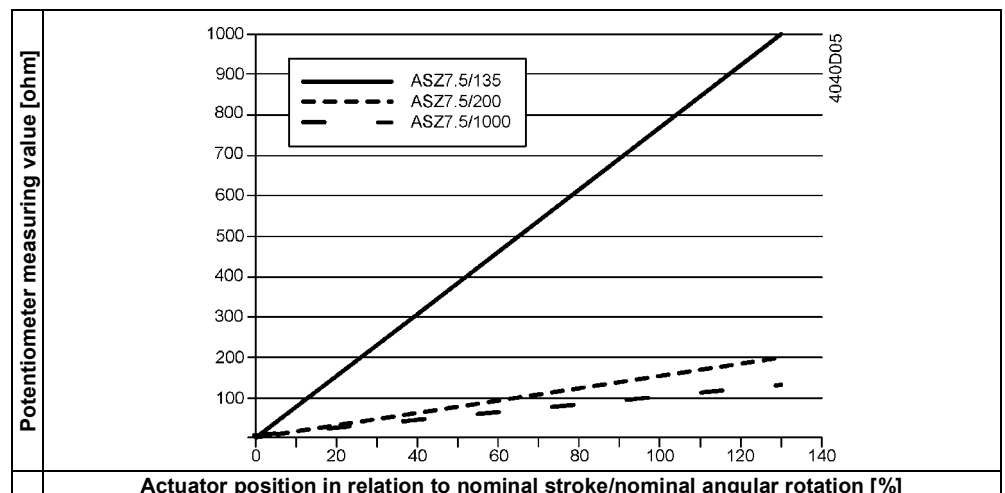
Potentiometer ASZ7.5/.. (1000 Ω, 200 Ω, 135 Ω) delivers an ohmic value to the controller giving the exact position of the actuator (continuous position feedback). A slip clutch prevents damage to the potentiometer in the mechanical end positions. This is also used for accurate balancing of the potentiometer in the fully closed position.



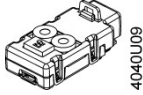
Flow characteristic

The end values of the potentiometers refer to the maximum stroke / maximum angular rotation of the actuators. For this reason, the resulting values in operation deviate, depending on the type of valve used in combination with the actuator. The potentiometer's starting point can be very accurately adjusted during installation (refer page 26).

	ASZ7.5/135	ASZ7.5/200	ASZ7.5/1000
	104 Ohm at nominal stroke/nominal angular rotation	154 Ohm at nominal stroke/nominal angular rotation	770 Ohm at nominal stroke/nominal angular rotation
	$R = 0 + 1.04 \text{ Ohm} \times \text{nominal stroke/nominal angular rotation (\%)}$	$R = 0 + 1.54 \text{ Ohm} \times \text{nominal stroke/nominal angular rotation (\%)}$	$R = 0 + 7.7 \text{ Ohm} \times \text{nominal stroke/nominal angular rotation (\%)}$
SAX..	$R = 0 + 5.2 \text{ Ohm} \times \text{stroke (mm)}$	$R = 0 + 7.71 \text{ Ohm} \times \text{stroke (mm)}$	$R = 0 + 38.5 \text{ Ohm} \times \text{stroke (mm)}$
SAL..	$R = 0 + 1.15 \text{ Ohm} \times \text{rotary angle (°)}$	$R = 0 + 1.71 \text{ Ohm} \times \text{rotary angle (°)}$	$R = 0 + 8.55 \text{ Ohm} \times \text{rotary angle (°)}$



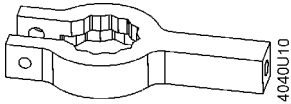
Function module AZX61.1



Function module AZX61.1 offers the following choices for changing control:

- Changeover of acting direction (page 42)
- Connection terminals (page 58)
- Sequence control (page 41)

Stem heating element ASZ6.6



Stem heating element ASZ6.6 prevents the formation of ice on the stem when medium temperatures drop below 0 °C. It is suited for universal use with valves having a stem diameter of 10 or 14 mm.



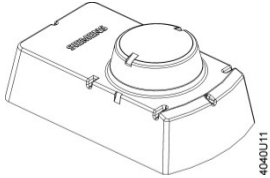
The stem heating element heats up to 120 °C.



This is a PTC element, which means it shows up with a low resistance at power up – inrush current may reach 13 A at low temperatures / high voltage level

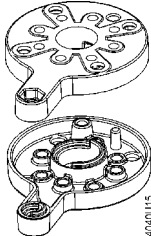
4.13.6 Mechanical accessories

Weather shield ASK39.1



Weather shield ASK39.1 protects the actuator when installed outdoors. This does not lead to a change of IP class (IP54).

Mounting sets ASK3..N



Mounting sets ASK31N, ASK33N and ASK35N enable the actuators to be fitted to slipper valves VBF21.., DN65...150 and butterfly valves VKF41.. and VKF45 (page 21-25).

5 Technical data

		SAX..	SAL..
Power supply	Operating voltage SA..31.. SA..61.. SA..81..	AC 230 V ± 15 % AC 24 V ± 20 % / DC 24 V + 20 % / -15% AC 24 V ± 20 % / DC 24 V + 20 % / -15%	
	Frequency	45...65Hz	
	Fusing ac. DIN 57100 part 430 (supply lines)	Max. 10 A slow	Max. 10 A slow
	Power consumption at 50 Hz		
	SAX31.00 Stem retracts / extends	3.5 VA / 2 W	-
	SAX31.03 Stem retracts / extends	6 VA / 3.5 W	-
	SAX61.03.. Stem retracts / extends	8 VA / 3.75 W	-
	Holding state	3.5 VA / 1.5 W	-
	SAX81.00.. Stem retracts / extends	3.5 VA / 2.25 W	-
	SAX81.03.. Stem retracts / extends	5 VA / 3.75 W	-
	SAL31.00T10 Rotary actuator turns	-	3.5 VA / 2 W
	SAL31.00T20 Rotary actuator turns	-	4.5 VA / 2.75 W
	SAL31.00T40 Rotary actuator turns	-	7 VA / 4 W
	SAL31.03T10 Rotary actuator turns	-	5.5 VA / 3.25 W
	SAL61.00T10 Rotary actuator turns	-	5 VA / 2.5 W
	Holding state	-	3.5 VA / 1.5 W
	SAL61.00T20 Rotary actuator turns	-	6 VA / 2.75 W
	Holding state	-	3.5 VA / 1.5 W
	SAL61.00T40 Rotary actuator turns	-	9 VA / 4 W
	Holding state	-	3.5 VA / 1.5 W
	SAL61.03T10 Rotary actuator turns	-	7.5 VA / 3.5 W
	Holding state	-	3.5 VA / 1.5 W
	SAL81.00T10 Rotary actuator turns	-	3 VA / 2 W
	SAL81.00T20 Rotary actuator turns	-	4 VA / 2.75 W
	SAL81.00T40 Rotary actuator turns	-	6 VA / 3.75 W
	SAL81.03T10 Rotary actuator turns	-	5 VA / 3.5 W
Function data	Positioning times with specified nominal stroke / nominal angular rotation		
		SAX..00, SAL..00	120 s
		SAX..03, SAL..03	30 s
	Positioning force		800 N
Torque	SAL..T10	-	10 Nm running
	SAL..T20 ⁵⁾	-	20 Nm running
	SAL..T40 ⁵⁾	-	40 Nm running
Nominal stroke		20 mm	-
Angular rotation		-	90°
Signal inputs	Positioning signal "Y" SA..31.., SA..81..		3- position
	SA..31..	Voltage	AC 230 V ± 15 %
	SA..81..	Voltage	AC 24 V ± 20 % / DC 24 V + 20 % / -15%
	SA..61.. (DC 0...10 V)	Current draw	≤ 0,1 mA
	SA..61.. (DC 4...20 mA)	Input impedance	≥ 100 kΩ
		Current draw	DC 4...20 mA ± 1 %
		Input impedance	≤ 500 Ω
Parallel operation	SA..61..	≤ 10 (depending on controller output)	
Forced control	Positioning signal "Z"	SA..61..	R = 0...1000 Ω, G, G0
		R = 0...1000 Ω	Stroke / rotation proportional to R
	Z connected to G		Max. stroke 100% ¹⁾ 90° ¹⁾
	Z connected to G0		Min. stroke 0% ¹⁾ 0° ¹⁾
	Voltage		Max. AC 24 V ± 20 %
	Current draw		Max. DC 24 V + 20 % / -15%
			≤ 0,1 mA
Position feedback	Position feedback U	SA..61..	DC 0...10 V ± 1 %
	Load impedance		>10 kΩ res.
	Load		Max. 1 mA
Connecting cable	Wire cross-sectional areas	0.13...1.5 mm ² , AWG 24...16 ²⁾	
	Cable entries	SA..	EU: 2 entries ∅ 20.5 mm (for M20) 1 entry ∅ 25.5 mm (for M25)
		SA..U	US: 3 entries ∅ 21.5 mm for ½" tube connection
Degree of protection	Housing from vertical to horizontal	IP54 as per EN 60529 ³⁾	
	Insulation class	As per EN 60730	
	Actuators SA..31..	AC 230 V	II
Actuators SA..61..	AC / DC 24 V	III	
Actuators SA..81..	AC / DC 24 V	III	

Environmental conditions	Operation Climatic conditions Mounting location Temperature General - Humidity (noncondensing)	IEC 60721-3-3 Class 3K5 Indoors (weather-protected) -5...55 °C -15...55 °C - not applicable 5...95 % r.h.
	Transport Climatic conditions Temperature Humidity	IEC 60721-3-2 Class 2K3 -25...70 °C <95 % r.h.
	Storage Climatic conditions Temperature Humidity	IEC 60721-3-1 Klasse 1K3 -15...55 °C 5...95 % r.h.
	Max. media temperatur when mounted on valve	130 °C 120 °C
Standards	CE conformity As per EMC directive Immunity Emmissions	2004/108/EC EN 61000-6-2:[2005] Industrial ⁴⁾ EN 61000-6-3:[2007] Residential
	Electrical safety	EN 60730-1
	Low-voltage directive AC 230 V	2006/95/EC
	C-tick	N 474
	UL conformity AC 230 V (SA..3..) - AC/DC 24 V (SA..6.. ; SA..8..)	UL 873
Environmental compatibility		ISO 14001 (environment) ISO 9001 (quality) SN 36350 (environment-compatible products) RL 2002/95/EG (RoHS)
Dimensions		See "Dimensions" (page 60)
Weight	Excl. packaging	See "Dimensions" (page 60)
Accessories	Potentiometer ASZ7.5/135 Voltage Current rating	0...135 Ω ± 5% DC 10 V < 4 mA
	Potentiometer ASZ7.5/200 Voltage Current rating	0...200 Ω ± 5% DC 10 V < 4 mA
	Potentiometer ASZ7.5/1000 Voltage Current rating	0...1000 Ω ± 5% DC 10 V < 4 mA
	Auxiliary switch ASC10.51 Switching capacity	AC 24...230 V, 6 A res., 3 A ind.
	Stem heating element ASZ6.6 power supply Power consumption at 50 Hz Inrush current (cold)	AC / DC 24 V 40 VA / 30 W Max. 13 A

¹⁾ Observe acting direction of DIL switches

²⁾ AWG = American wire gauge

³⁾ Also with weather shield ASK39.1

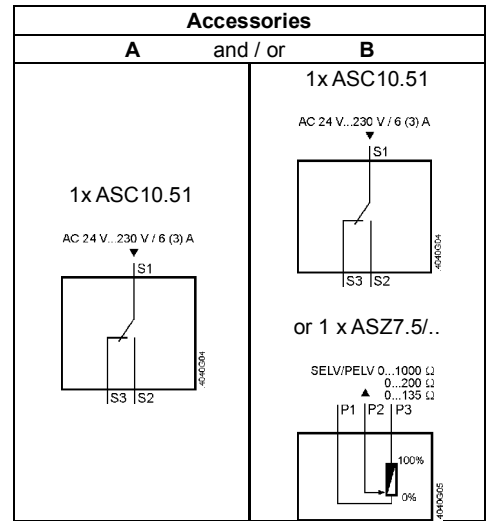
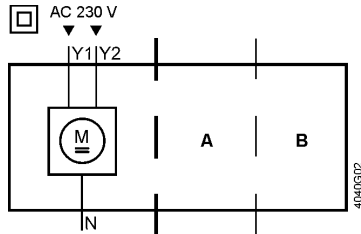
⁴⁾ Transformer 160 VA (e.g. Siemens 4AM 3842-4TN00-0EA0) for actuators operating on AC 24 V

⁵⁾ SAL.T20 / T40 have a minimum holding torque of 14 Nm

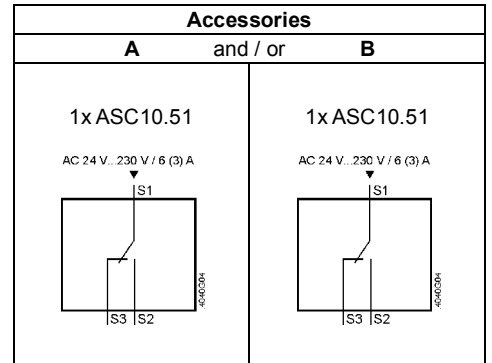
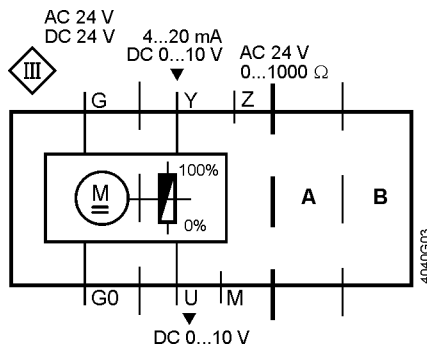
6 Connection diagrams and dimensions

6.1 Internal diagrams

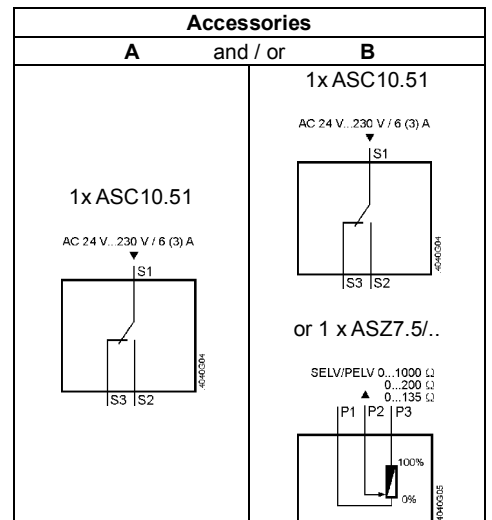
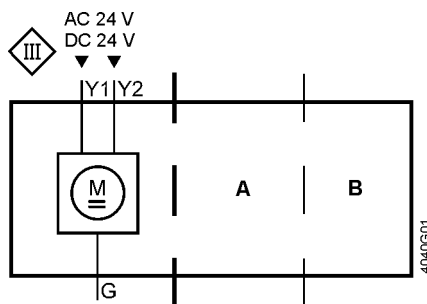
SA..31..



SA..61..



SA..81..

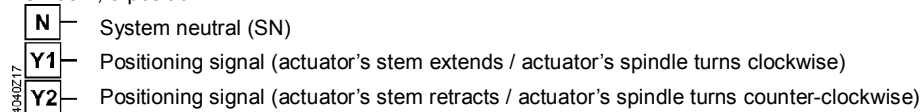


6.2 Connection terminals

6.2.1 Actuators

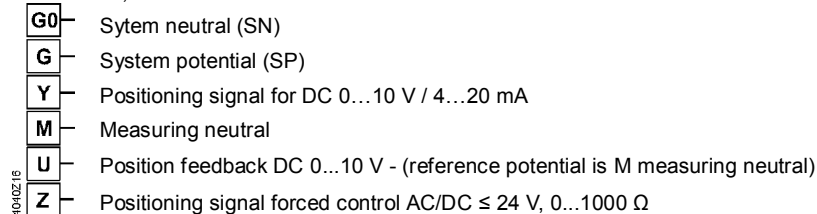
SA..31..

AC 230 V, 3-position



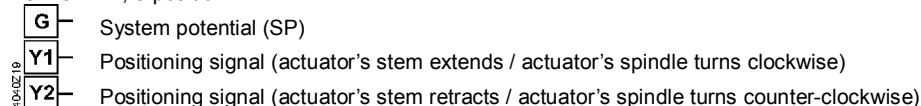
SA..61..

AC/DC 24 V, DC 0...10 V / 4...20 mA / 0...1000 Ω



SA..81..

AC/DC 24 V, 3-position



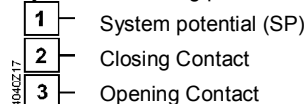
6.2.2 Electrical accessories

Auxiliary switch ASC10.51

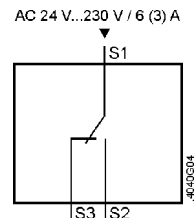


4040U07

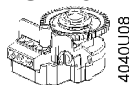
Adjustable switching points, AC 24...230 V



Switching state always related to extending actuator stem or clockwise turning actuator's spindle turns

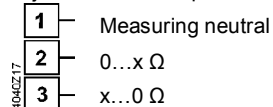


Potentiometer ASZ7.5/..

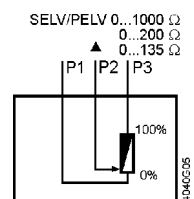


4040U08

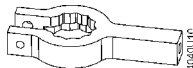
Adjustment of zero point, DC 10 V



x = 135 Ω, 200 Ω; 1000 Ω

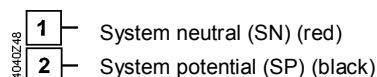


Stem heating element ASZ6.6



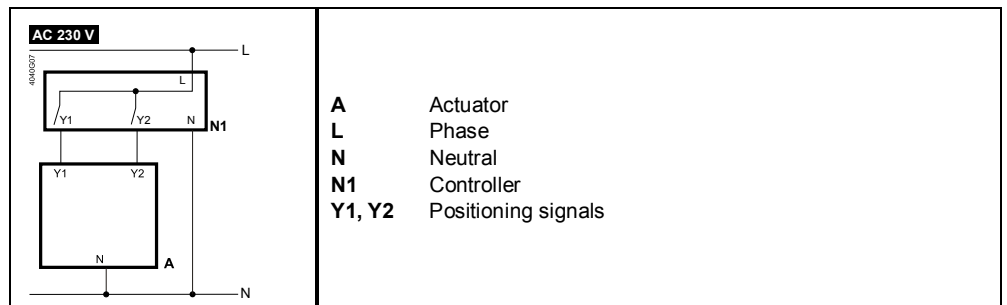
4040U10

AC 24 V / 30 W / 40 VA / inrush current max. 13A

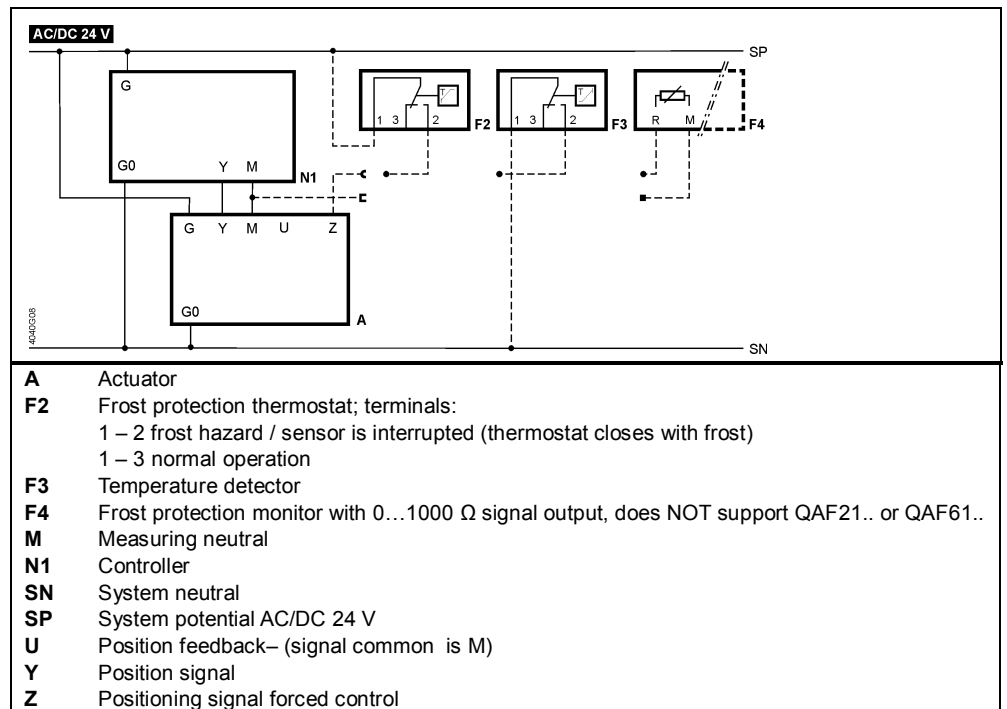


6.3 Connection diagrams

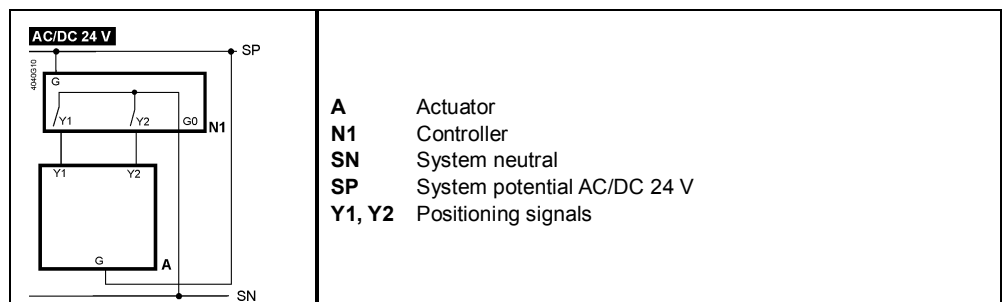
SA..31..



SA..61..



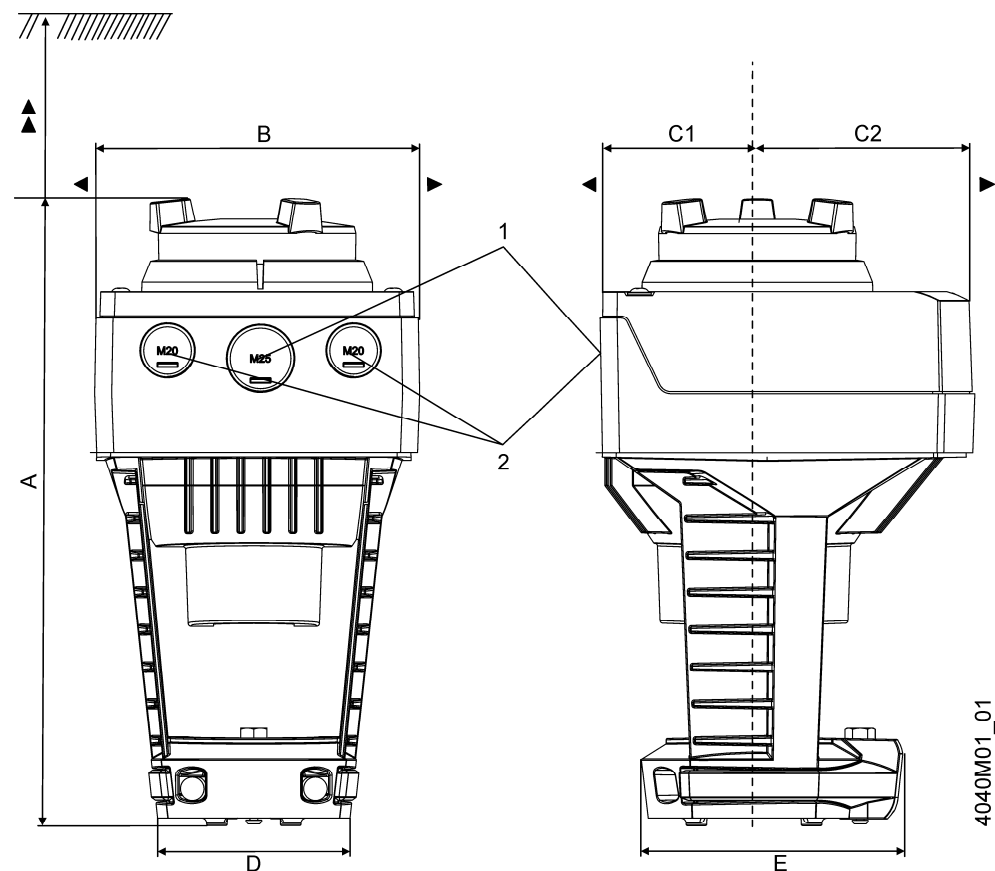
SA..81..



6.4 Dimensions

6.4.1 Stroke actuators

Dimensions in mm



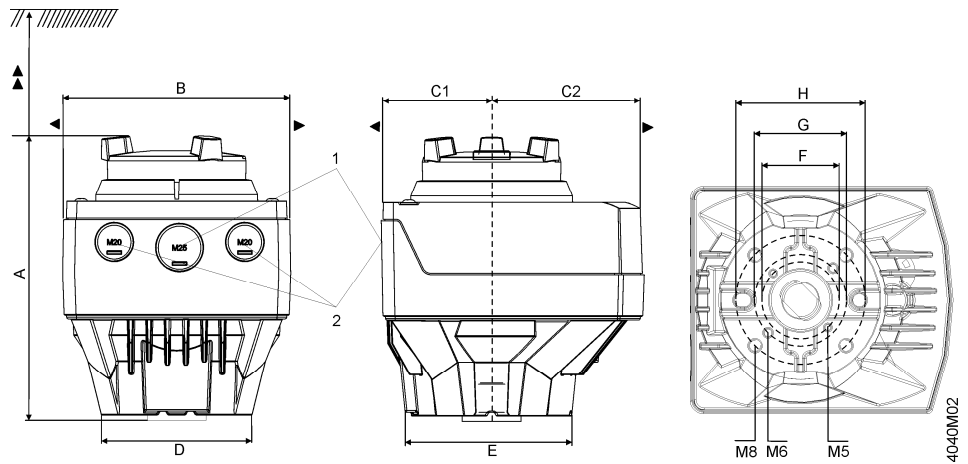
4040M01_01

- 1 SAX.: M25
SAX..U: ½" (Ø 21.5 mm)
2 SAX.: M20
SAX..U: ½" (Ø 21.5 mm)

Type	A	B	C	C1	C2	D	E	▶	▶▶	kg
SAX..00 und SAX..03	242	124	150	68	82	80	100	100	200	1,850
Mit ASK39.1	+25	154	300	200	100	-	-	-	-	2,080

6.4.2 Rotary actuators

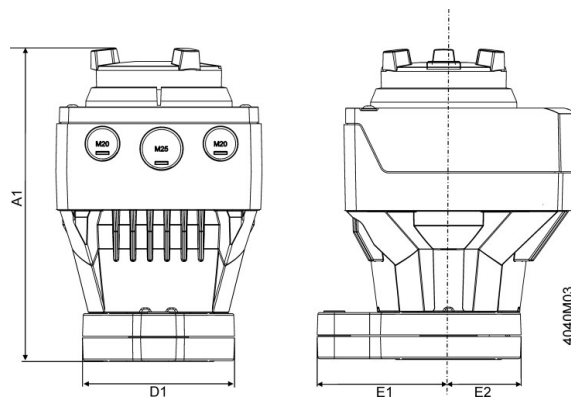
Dimensions in mm



- 1 SAL...: M25
- 2 SAL...: M20

Typ	A	B	C	C1	C2	D	E	F	G	H	▶	▶▶	kg		
													SAL..T10	SAL..T20	SAL..T40
SAL..	160	124	150	68	82	82	88	42	50	70	100	200	1.475	1.600	1.625
Mit ASK39.1	+25	154	300	200	100	-	-	-	-	-	-	-	1.710	1.835	1.860

With mounting set
ASK3..N



Type	A1	D1	E1	E2
SAL.. with ASK3..N	188	88	80	44
With ASK39.1	+25	-	-	-

7 Revision numbers

Product no.	Valid from rev. no.	Product no.	Valid from rev. no.
SAX31.00	..G	SAL31.00T10	..D
		SAL31.00T20	..C
		SAL31.00T40	..A
SAX31.03	..G	SAL31.03T10	..D
	..G	SAL61.00T10	..D
	..G	SAL61.00T20	..C
		SAL61.00T40	..A
SAX61.03..	..G	SAL61.03T10	..D
		SAL81.00T10	..D
SAX81.00..		SAL81.00T20	..C
		SAL81.00T40	..A
SAX81.03..	..G	SAL81.03T10	..D

8 Glossary

8.1 Symbols



Caution, general danger – read the notes!



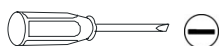
Caution, hot surface – read the notes!



Condition as supplied to customer



Crosstip screwdriver (Pozidriv)



Slotted screwdriver



Screw wrench



Allen key

8.2 Terms

DIL switches

A DIL switch shows the switching choices in the form of a place value system (dual in line) in relation to basis 2 (on and off).

DN

Nominal size: Characteristic for matching parts of the piping system.

Forced control

Forced control serves for overriding automatic mode and is implemented in the structure.

HEX switches

A HEX switch shows the switching choices in the form of a place value system (hexadecimal system) in relation to basis 16 (0...9 and A...F).

kPa

Unit of pressure: 100 kPa = 1 bar = 10 mWS.

k_{vs}

Nominal flow rate: Nominal flow rate of cold water (5...30 °C) through the fully open valve (H_{100}) at a differential pressure of 100 kPa (1 bar).

LED

Light emitting diode.

PN

PN class: Characteristic relating to the combination of mechanical und dimensional properties of a component in the piping system.

Position feedback

Signal used to acquire the position, fed back via an input.

Spring return facility

Refer "fail safe function".

$\Delta p_{max} / \Delta p_{maxV}$

Maximum permissible differential pressure across the valve's control path, valid for the entire actuating range of the motorized valve (V = diverting mode).

Δp_s

Maximum permissible differential pressure at which the motorized valve will close securely against the pressure (close off pressure).

slotted screwdriver

Index

3-position control	37	DN	10, 11, 12
A/D conversion	37, 40	Document use	7
About this documentation	5	Electrical accessories	53
Accessories	13, 56	Electrical planners	7
Electrical accessories	13	Engineering	8
Mechanical accessories	13	Environmental compatibility	56
Acting direction	42, 44	Equipment combinations	10
Angular rotation	9	2-port valves	11
Auxiliary switch ASC10.51 .. 13, 26, 28, 32, 35, 53, 56, 57, 58		3-port valves	10
Before you start	6	slipper and butterfly valves	12
Brushless DC motor	37, 40	Extra functions	9
Cable entries	55	Flow characteristic	43, 44 , 53
Cable glands	8, 31	Equal-percentage	43, 44
cable lengths	17	Linear	43, 44
Calibration	33 , 40, 46	Flow characteristic selection	43
Calibration slot	26, 40	Forced control	9, 40, 49 , 55
Changeover of acting direction	42	Formulas for wire lengths	18
Changeover of characteristic	40	Function check	33
Characteristics function	40	Function data	55
Commissioning	33	Function module AZX61.1 .. 13, 26, 28, 40, 41 , 54	
Connecting cable	55	Function principle	50
Connection diagrams	57, 59	Functions	37
Connection terminals	26, 58	Gear train	37, 40
3-position	58	Gerätekombinationen	
Actuators	58	Hähne und Drosselklappen	12
Auxiliary switch ASC10.51	58	Glossary	63
Electrical accessories	58	Handling	19
Modulating	58	HEX switches	41
Potentiometer ASZ7.5	58	Housing cover	8
Stem heating element ASZ6.6	58	HVAC plants	7
Contents	3	Identification of seat	37, 40
Control	37	Indicators	52
Control functions	37	LED	52
Control functions	40	Operational status indication	52
Control of direction	37	Position indication	52
Copyright	6	Status indication	52
Coupling	8, 51	Indoor use	19
Cross-sectional area of wire	18	Installation	8, 19, 31
cross-sectional areas	17	Interior view	26
Degree of protection	55	Internal diagrams	57
Delivery	9	Kennlinienumschaltung	9
Detection of foreign bodies	40, 48	Kraft	<i>Siehe</i> Stellkraft
Detection of valve seat	47	k_{vs}	10, 11, 12
Deviations	38	L/P-diagram	18
DIL switches	26, 40, 41, 42	LED	9, 26, 40, 52
Dimensions	56, 60	Maintenance	36
Rotary actuators	61	Manual adjuster	8, 9, 37, 40, 51
Stroke actuators	60	Automatic	51
Direct acting	42, 44	Disengaging the fixing	51
Disposal	36	Fixing the coupling	51
		Manual operation	51

Manual adjustment.....	37, 40	Product replacements	14
Mechanical accessories	54	Quality assurance.....	7
Modulating control	40	Quick access	5
Montagesatz ASK3..N.....	12	Reference documents	6
Montagesatz ASK31N	23	Request to the reader	7
Montagesatz ASK35N	13	Reverse acting	42, 44
Motor control.....	37, 40	Revision history	6
Mounting	19	Revision numbers	62
Accessories	26	Scope of this document	7
Auxiliary switch ASC10.51	28	Selecting the acting direction	42
Fitting actuators to butterfly valves.....	21, 24	Sequence control	41
Fitting actuators to seat valves.....	19	Setting elements.....	26
Fitting actuators to slipper valves	23	Signal adaptation.....	41
Function module AZX61.1	28	Signal error.....	17
Mounting positions.....	19	Signal inputs.....	55
Potentiometer ASZ7.5	26	Signal priorities	47
Stem heating element ASZ6.6	30	Sizing	17
Weather shield ASK39.1	31	Spare parts	16
Mounting set ASK3..N	54, 61	Spring return time.....	9
Mounting set ASK31N	13	Standards.....	56
Mounting set ASK33N	13, 21	Status indication	8
Mounting set ASK35N	24	Stellungsrückmeldung	55
Navigation	5	Stem heating element ASZ6.6 ...	13, 30, 54, 56, 58
Normen.....	56	Stroke	9
Operating voltage	18, 55	Symbols	63
Operating voltage	9	Technical	50
Ordering	9	Technical data	55
Outdoor use.....	19	Terms	63
Parallel operation.....	55	Torque.....	9, 12, 14
Parallel operation of actuators.....	17	Trademarks	6
Permissible voltage drop.....	18	Transmission of power.....	50
Permissible wire length	18	Type summary	9
Plug-in space A.....	26, 27, 28	Rotary actuators.....	9
Plug-in space B.....	26, 28, 29	Stroke actuators.....	9
PN.....	10, 11, 12	Umweltbedingungen.....	56
Position control	40	Use	8
Position feedback	9, 43	User interface.....	8
Position indication.....	8	Valve neck coupling.....	8
Positioning force	9, 10, 11, 14	Valve stem coupling.....	8
Positioning signal.....	9, 40	Voltage drop.....	17
Positioning signal (Z)	<i>Refer</i> Forced control	Volumetric flow	42, 43
Positioning signal selection	43	Warranty	18
Positioning time	9, 14	Weather shield ASK39.1	13, 31, 54
Positioning times stroke model.....	37	Weight.....	56
Potentiometer ASZ7.5 ... 13, 26, 32, 35, 53, 56, 57,	58	Wiring.....	31
Power consumption	18	Actuator	32
Power supply	40, 55	Auxiliary switch ASC10.51	32
Power transmission.....	8	Potentiometer ASZ7.5	32
Product description	8	Preparation of wire endings	31
Product replacements		Yoke.....	8
Electrical accessories	15	Δp_{max}	10, 11, 12
Rotary actuators SQL.. to SAL.....	14	Δp_{maxV}	10
Stroke actuators SQX.. to SAX.....	14	Δp_s	11, 12

Siemens Schweiz AG
Building Technologies Group
International Headquarters
Gubelstrasse 22
CH-6301 Zug
Tel. +41 41-724 24 24
Fax +41 41-724 35 22
www.siemens.com/sbt

© 2010 - 2013 Siemens Schweiz AG
Änderungen vorbehalten