



Acvatix™

## 2-port seat valves PN40 with VVF61.. flanged connection

---

- Cast steel GP240GH valve body
- DN 15...150
- $k_{vs}$  0.19...300 m<sup>3</sup>/h
- Can be equipped with SKD.., SKB.. or SKC.. electrohydraulic actuators

### Use

---

For use in district heating, heating, ventilating and air conditioning systems as a control or safety shutoff valve. Control devices MK..6.. (water, steam) are TÜV approved per DIN EN 14597 and can therefore be used as control devices with safety shut-off function for temperature and pressure limitation.

For closed and open circuits (mind "Cavitation", refer to page 6).

## Type summary

Product number	DN	$k_{vs}$ [m <sup>3</sup> / h]	$S_v$
VVF61.09	15	0.19	>50
VVF61.10		0.3	
VVF61.11		0.45	
VVF61.12		0.7	
VVF61.13		1.2	
VVF61.14		1.9	
VVF61.15		3	
VVF61.23	25	5	>100
VVF61.24		7.5	
VVF61.25		12	
VVF61.39	40	19	>50
VVF61.40		31	
VVF61.49	50	49	>100
VVF61.50		78	
VVF61.65	80	124	
VVF61.80	100	200	
VVF61.90	125	300	
VVF61.91	150		
VVF61.92			

DN = Nominal size

$k_{vs}$  = Nominal flow rate of cold water (5...30 °C) through the fully open valve ( $H_{100}$ ) by a differential pressure of 100 kPa (1 bar)

$S_v$  = Rangeability  $k_{vs} / k_{vr}$

$k_{vr}$  = Smallest  $k_v$  value, at which the flow characteristic tolerances can still be maintained, by a differential pressure of 100 kPa (1 bar)

### Special versions

Product number	Type suffix	Description	Examples
VVF61..2	2	Sealing gland with PTFE sleeve for 220...350 °C with thermal insulator, available for $k_{vs} \geq 1.2$ m <sup>3</sup> /h	VVF61.132

### TÜV tested per DIN EN 14597

Product number	Stock number	Description	Data sheet
MK..6.	S55329-M1..	Control device PN 25 for safety function per DIN EN 14597, for water and steam	N4388

### Accessories

Product number	Description
ASZ6.5	Electric stem heating element, AC 24 V / 30 W, required for media below 0 °C

### Ordering

Example:

Product number	Stock number	Designation	Quantity
VVF61.50	VVF61.50	2-port seat valve PN40 with flanged connection	1

Delivery

Valves, actuators and accessories are packed and supplied separately.

The valves are supplied without counter-flanges and without flange gaskets.

Thermal insulator of special version with type suffix 2 is factory-mounted onto the valve on delivery.

This thermal insulator cannot be ordered separately or retrofitted.

Spare parts, Rev. no.

See overview, page 12.

## Equipment combinations

Valves	H <sub>100</sub> [mm]	Actuators					
		SKD.. <sup>1)</sup>		SKB..		SKC..	
		$\Delta p_{max}$	$\Delta p_s$	$\Delta p_{max}$	$\Delta p_s$	$\Delta p_{max}$	$\Delta p_s$
							[kPa]
VVF61.09...15	20	1600	4000	1600	4000		
VVF61.23...25			2250				
VVF61.39...40							
VVF61.49...50							
VVF61.65	40					1000	4000
VVF61.80						700	
VVF61.90						450	
VVF61.91						300	
VVF61.92						200	

<sup>1)</sup> Usable up to maximum medium temperature of 150 °C

H<sub>100</sub> = Nominal stroke

$\Delta p_{max}$  = Maximum permissible differential pressure across the valve, valid for the entire actuating range of the motorized valve

$\Delta p_s$  = Maximum permissible differential pressure at which the motorized valve will close securely against the pressure (close off pressure)

## Actuator overview

Product number	Actuator type	Operating voltage	Positioning signal	Spring return	Positioning time	Positioning force	Data sheet	
SKD32.50	Electro-hydraulic	AC 230 V	3- position	-	120 s	1000 N	N4561	
SKD32.21				Yes	30 s			
SKD32.51				-	120 s			
SKD82.50		AC 24 V	DC 0...10 V <sup>1)</sup>		-			30 s
SKD82.51					Yes			
SKD60					-			
SKD62..					Yes			
SKB32.50	Electro-hydraulic	AC 230 V	3- position	-	120 s	2800 N	N4564	
SKB32.51				Yes				
SKB82.50				-				
SKB82.51		Yes						
SKB60		-						
SKB62..		Yes						
SKC32.60	Electro-hydraulic	AC 230 V	3- position	-	120 s	2800 N	N4566	
SKC32.61				Yes				
SKC82.60				-				
SKC82.61		Yes						
SKC60		-						
SKC62..		Yes						

<sup>1)</sup> or DC 4...20 mA or 0...1000  $\Omega$

## Pneumatic actuators

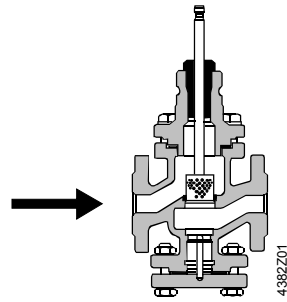
DN 15 and DN 25 can also be used with pneumatic actuators.

For DN 40...150, use of pneumatic actuators is possible only if the direction of flow counters the direction of the arrow (inverted flow direction).

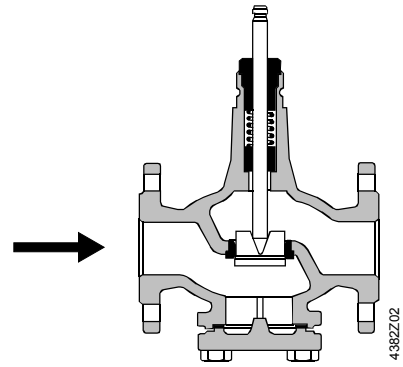
For  $\Delta p_{max}$  and  $\Delta p_s$  the values as listed in the data sheet for the VVF41.. (N4340) are valid.

Contact your local office or branch for more information.

Valve cross section



DN 15 and DN 25  
closes against pressure



DN 40...150  
closes on pressure

Depending on the nominal size, a guided parabolic, perforated or slot plug is used that is directly connected to the valve stem.

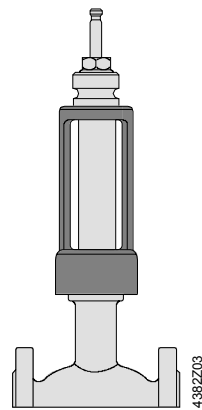
The seat is screwed to the valve body with the aid of special gland material.

Schematic representation, design variations are possible.



**The two-port seat valve does not become a three-port valve by removing the blank flange!**

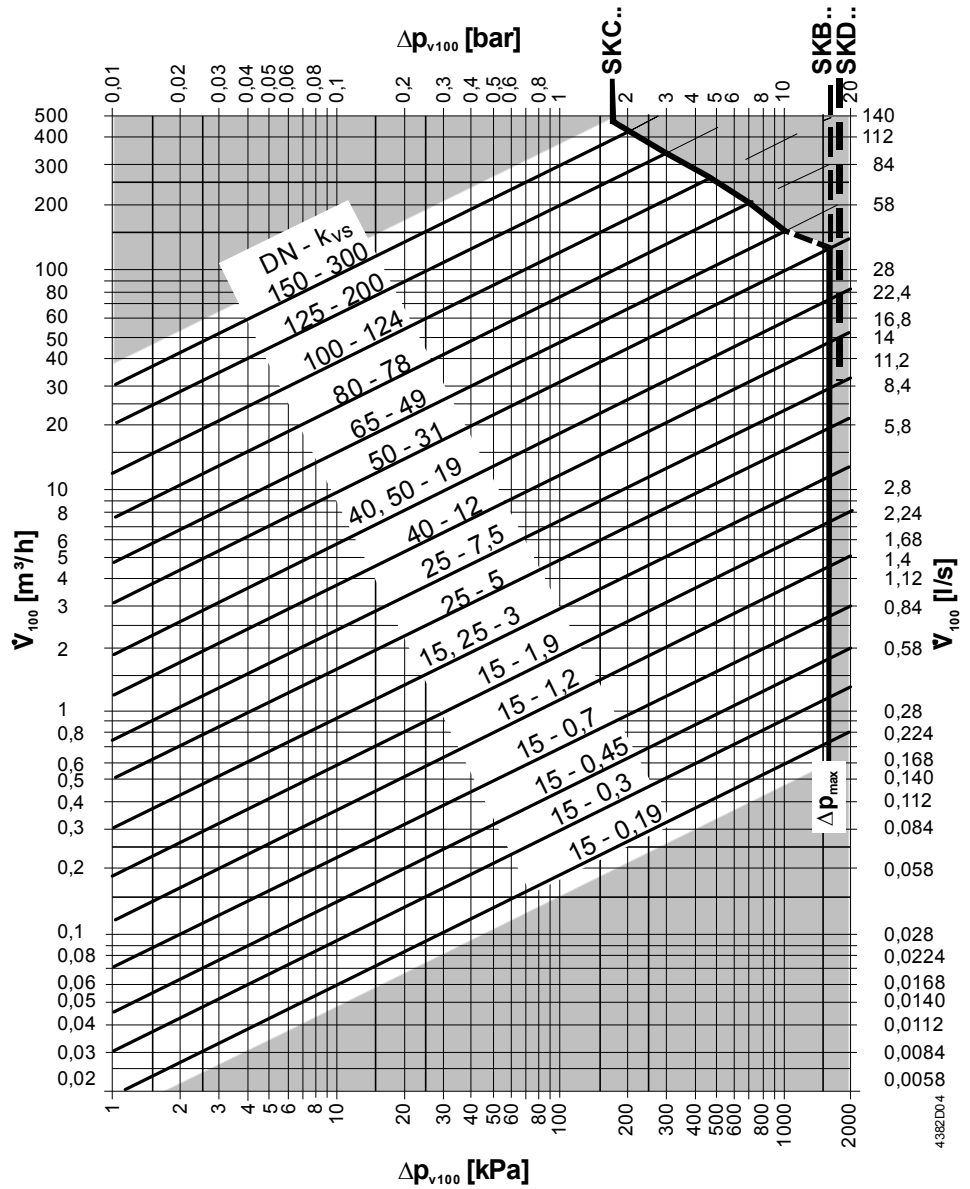
Thermal insulator



Thermal insulator for special version with type suffix 2, required for media from 220 °C to 350 °C; factory-mounted onto the valve on delivery.

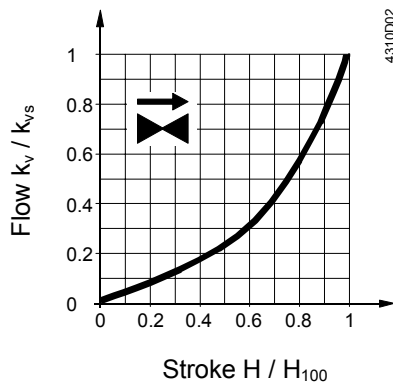
# Sizing

## Flow diagram



- $\Delta p_{max}$  = Maximum permissible differential pressure across the valve, valid for the entire actuating range of the motorized valve
- $\Delta p_{v100}$  = Differential pressure across the fully open valve and the valve's control path by a volume flow  $\dot{V}_{100}$
- $\dot{V}_{100}$  = Volume flow through the fully open valve ( $H_{100}$ )
- 100 kPa = 1 bar  $\approx$  10 mWC
- 1  $m^3/h$  = 0.278 l/s water at 20 °C

## Valve flow characteristic



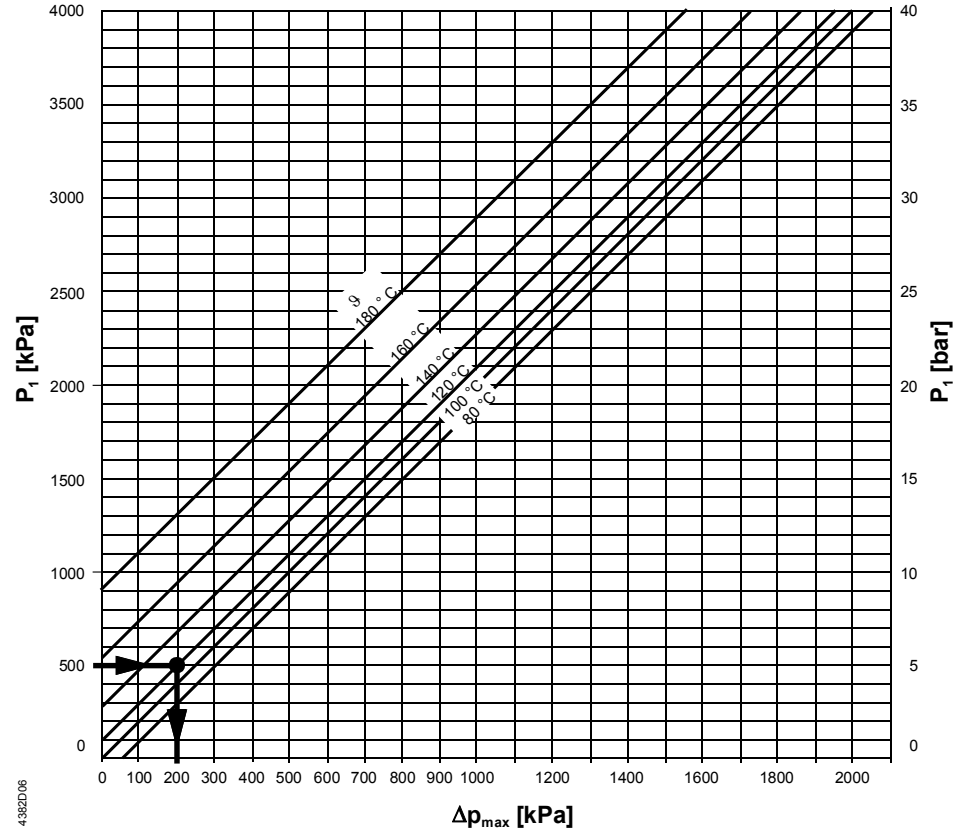
- 0...30 % → linear
- 30...100 % → equal percentage
- $n_{gl} = 3$  as per VDI / VDE 2173

**Cavitation**

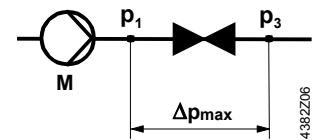
Cavitation accelerates wear on the valve plug and seat, and also results in undesirable noise. Cavitation can be avoided by not exceeding the differential pressure shown in the "Flow diagram" on page 5, and by adhering to the static pressures shown below.

**Note on chilled water**

To avoid cavitation in chilled water circuits ensure sufficient counter pressure at valve outlet, e.g. by a throttling valve after the heat exchanger. Select the pressure drop across the valve at maximum according to the 80 °C curve in the flow diagram below.



- $\Delta p_{max}$  = Differential pressure with valve almost closed, at which cavitation can largely be avoided
- $p_1$  = Static pressure at inlet
- $p_3$  = Static pressure at outlet
- M = Pump
- $\vartheta$  = Water temperature



High temperature hot water example:

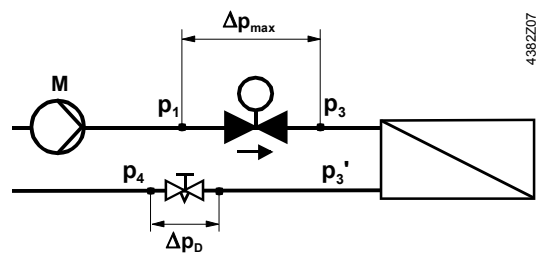
Pressure  $p_1$  at valve inlet: 500 kPa (5 bar)  
 Water temperature: 120 °C

From the diagram above, it will be seen that with the valve almost closed, the maximum permissible differential pressure  $\Delta p_{max}$  is 200 kPa (2 bar).

Chilled water example:

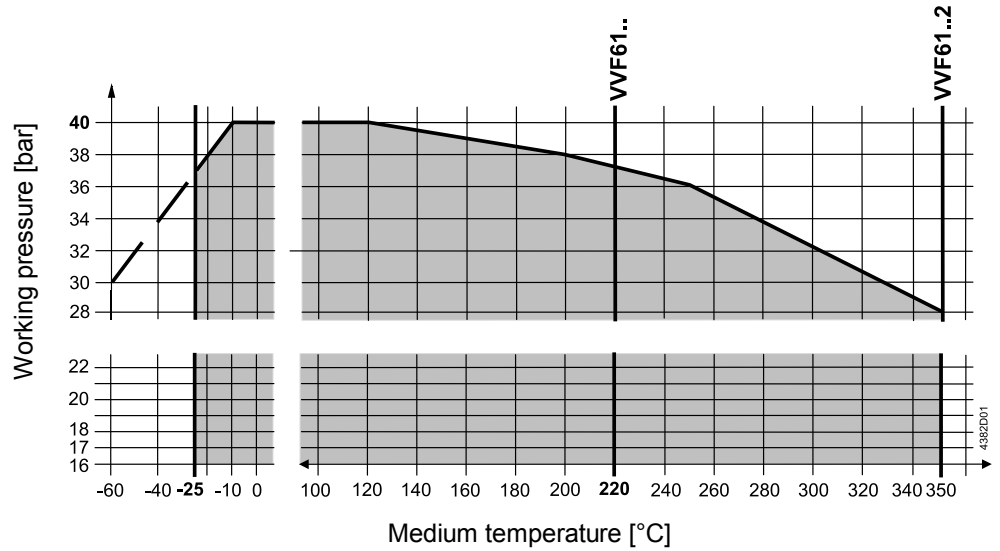
Spring water cooling as an example of avoiding cavitation:

- Chilled water = 12 °C
- $p_1$  = 500 kPa (5 bar)
- $p_4$  = 100 kPa (1 bar) (atmospheric pressure)
- $\Delta p_{max}$  = 300 kPa (3 bar)
- $\Delta p_{3-3'}$  = 20 kPa (0.2 bar)
- $\Delta p_D$  (throttle) = 80 kPa (0.8 bar)
- $p_{3'}$  = pressure after consumer in kPa



## Working pressure and medium temperature

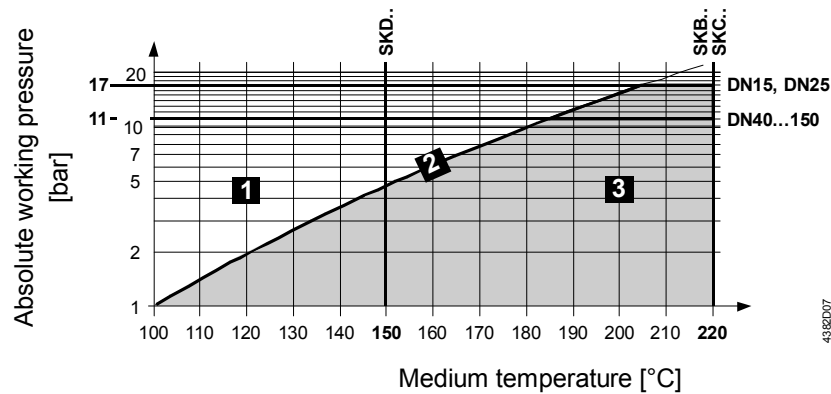
Fluids



## Working pressure and medium temperature staged as per ISO 7005

Current local legislation must be observed.

Saturated steam  
Superheated steam



<b>1</b>	wet steam	avoid
<b>2</b>	saturated steam	permissible range of use
<b>3</b>	superheated steam	

Recommendation

For saturated steam and superheated steam the differential pressure  $\Delta p_{\max}$  across the valve should be close to the critical pressure ratio.

$$\text{Pressure ratio} = \frac{p_1 - p_3}{p_1} \cdot 100\%$$

$p_1$  = absolute pressure before valve in kPa

$p_3$  = absolute pressure after valve in kPa

Calculation of the  $k_{vs}$  value for steam

**Subcritical range**

$$\frac{p_1 - p_3}{p_1} \cdot 100\% < 42\%$$

Pressure ratio < 42% subcritical

$$k_{vs} = 4.4 \cdot \frac{\dot{m}}{\sqrt{p_3 \cdot (p_1 - p_3)}} \cdot k$$

**Supercritical range**

$$\frac{p_1 - p_3}{p_1} \cdot 100\% \geq 42\%$$

Pressure ratio  $\geq$  42% supercritical  
(not recommended)

$$k_{vs} = 8.8 \cdot \frac{\dot{m}}{p_1} \cdot k$$

$\dot{m}$  = steam quantity in kg/h

$k$  = factor for superheating of steam =  $1 + 0.0012 \cdot \Delta T$  ( $k = 1$  for saturated steam)

$\Delta T$  = temperature differential in K between saturated steam and superheated steam

### Example

given	saturated steam 133.5 °C	saturated steam 133.5 °C
	$p_1 = 300 \text{ kPa (3 bar)}$	$p_1 = 300 \text{ kPa (3 bar)}$
	$\dot{m} = 105 \text{ kg/h}$	$\dot{m} = 105 \text{ kg/h}$
	pressure ratio = 30 %	pressure ratio = 42 % (supercritical permitted)
required	$k_{vs}$ , valve type	$k_{vs}$ , valve type
procedure	$p_3 = p_1 - \frac{30 \cdot p_1}{100}$ $p_3 = 300 - \frac{30 \cdot 300}{100} = 210 \text{ kPa (2.1 bar)}$ $k_{vs} = 4.4 \cdot \frac{105}{\sqrt{210 \cdot (300 - 210)}} \cdot 1 = 3.36 \text{ m}^3 / \text{h}$	$k_{vs} = 8.8 \cdot \frac{105}{300} \cdot 1 = 3.08 \text{ m}^3 / \text{h}$
selected	$k_{vs} = 5 \text{ m}^3/\text{h} \Rightarrow \text{VVF61.24}$	$k_{vs} = 3 \text{ m}^3/\text{h} \Rightarrow \text{VVF61.15 (DN15)}$ or $\Rightarrow \text{VVF61.23 (DN25)}$

### Notes

#### Engineering

We recommend installation in the return pipe, as the temperatures in this pipe are lower for applications in heating systems, which in turn, extends the stem sealing gland's life.



In open circuits the valve plug may seize as the result of scale deposits. In these applications, only the most powerful SKB.. or SKC.. actuators should be used. Further the valve should be exercised at regular intervals (two to three times per week). A strainer **MUST** be fitted at the valve inlet

Ensure cavitation free flow (refer to page 6).



To ensure the reliability of the valve, we recommend the fitting of a strainer at the valve inlet even in closed circuits.



For media below 0 °C, use the electric ASZ6.5 stem heating element to prevent the valve stem from freezing in the sealing gland. For safety reasons, the stem heating element has been designed for AC 24 V / 30 W operating voltage.

The use of these valves for steam is subject to specific parameters:  
Observe diagram for steam on page 7 and "Technical data" on page 10!

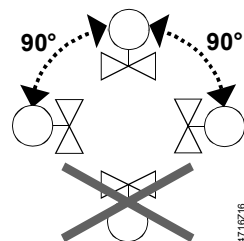
#### Mounting

Both valve and actuator can easily be assembled at the mounting location. Neither special tools nor adjustments are required.

The thermal insulator is factory-mounted. The actuator is directly mounted on the thermal insulator instead of the valve

The valve is supplied with Mounting Instructions 74 319 0509 0.

#### Orientation





Direction of flow  
**Commissioning**



When mounting, pay attention to the valve's flow direction symbol →.  
**Commission the valve only if the actuator has been mounted correctly.**

Valve stem retracts: valve opens = increasing flow  
Valve stem extends: valve closes = decreasing flow

**Maintenance**

---

**Warning**

VVF61.. valves require no maintenance.

When doing service work on the valve / actuator:

- Deactivate the pump and turn off the power supply
- Close the shutoff valves
- Fully reduce the pressure in the piping system and allow pipes to completely cool down

If necessary, disconnect the electrical wires.

Before putting the valve into operation again, make certain the actuator is correctly fitted.

**Stem sealing gland**

The glands can be exchanged without removing the valve, provided the pipes are depressurized and cooled off and the stem surface is unharmed.

If the stem is damaged in the gland range, replace the entire stem-plug-unit.  
Contact your local office or branch.

**Disposal**



Before disposal the valve must be dismantled and separated into its various constituent materials.

Legislation may demand special handling of certain components, or it may be sensible from an ecological point of view.

**Current local legislation must be observed.**

**Warranty**

---

The technical data given for these applications is valid only in conjunction with the Siemens actuators as detailed under "Equipment combinations", page 3.

All terms of the warranty will be invalidated by the use of actuators from other manufacturers.

## Technical data

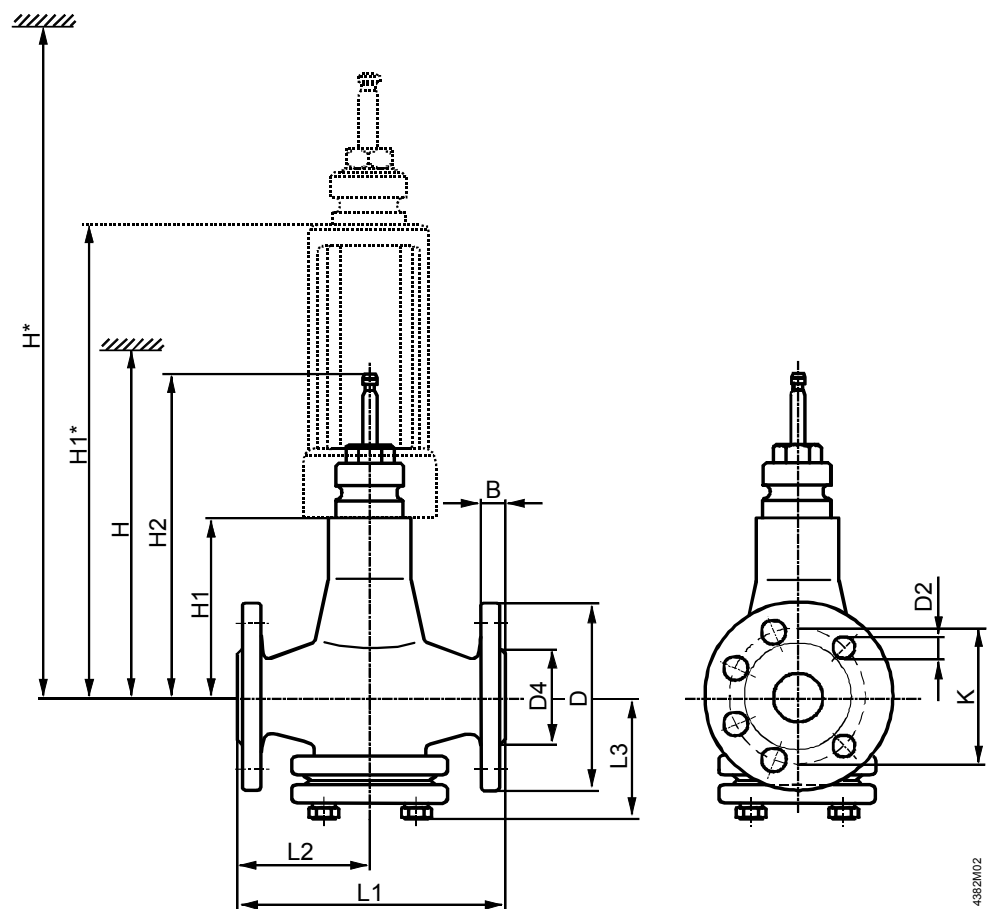
Functional data	PN class	PN 40 to ISO 7268		
	Working pressure	to ISO 7005 within the permissible "medium temperature" range according to the diagram on page 7		
	Flow characteristic	<ul style="list-style-type: none"> <li>• 0...30 %</li> <li>• 30...100 %</li> </ul>	<ul style="list-style-type: none"> <li>• linear</li> <li>• equal percentage; <math>n_{gl} = 3</math> to VDI / VDE 2173</li> </ul>	
	Leakage rate	0...0.02 % of $k_{vs}$ value to DIN EN 1349		
	Permissible media:	water	cooling water, chilled water, low temperature hot water, high temperature hot water, water with anti-freeze; recommendation: water treatment to VDI 2035	
		brine		
		steam	saturated steam, super-heated steam; dryness at inlet minimum 0.98	
		heat transfer oils		
		Medium temperature water, brine <sup>1)</sup> steam	VVF61..	-25...220 °C ≤ 220 °C DN 15...25 ≤ 1700 kPa (17 bar) abs ≤ 220 °C DN 40...150 ≤ 1100 kPa (11 bar) abs permissible temperature and pressure range according to the diagram on page 7
		heat transfer oils <sup>2)</sup>	VVF61.. VVF61..2	≤ 220 °C 220...350 °C
Industry standards	Rangeability $S_v$	DN 15...40:	> 50 (VVF61.25: > 100)	
		DN 50...150:	> 100 (VVF61.49: > 50)	
	Nominal stroke	DN 15...50:	20 mm	
		DN 65...150:	40 mm	
Industry standards	Pressure Equipment Directive	PED 97/23/EC		
	Pressure Accessories	as per article 1, section 2.1.4		
	Fluid group 2:	<ul style="list-style-type: none"> <li>• DN 15...25</li> <li>• DN 40...80</li> <li>• DN 100...150</li> </ul>	<ul style="list-style-type: none"> <li>• without CE-marking as per article 3, section 3 (sound engineering practice)</li> <li>• category I, with CE-marking</li> <li>• category II, with CE-marking, test authority number 0036</li> </ul>	
Environmental compatibility	ISO 14001 (Environment)			
	ISO 9001 (Quality)			
Materials	SN 36350 (Environmentally compatible products)			
	RL 2002/95/EG (RoHS)			
	Valve body	cast steel GP240GH		
	Stem	stainless steel		
	Plug, seat	stainless steel		
	Sealing gland	stainless steel		
Gland materials	Standard version:	PTFE sleeve		
	Special versions:	VVF61..2: PTFE sleeve		
Dimensions / Weight	Refer to "Dimensions", page 11			
	Flange connections	to ISO 7005		

<sup>1)</sup> Electric stem heating element ASZ6.5 required for media below 0 °C.

<sup>2)</sup> For 220...350 °C with thermal insulator, type suffix 2, use electrohydraulic SKB.. or SKC.. actuators.

## Dimensions

Dimensions in mm



4382M02

DN	B	D Ø	D2 Ø	D4 Ø	K	L1	L2	L3	H1	H2	H			H1*	H*			kg	
											SKD..	SKB..	SKC..		SKD..	SKB..	SKC..	VVF61..	VVF61..2
15	16	95	14 (4x)	46	65	130	65	90	96	192.5	>596	>671		276	>776	>851		7.4	10.7
25	18	115		67	85	160	80	107	111	207.5	>611	>686		291	>791	>866		10	13.3
40		150	18 (4x)	84	110	200	100	102	136	232.5	>636	>711	316	>816	>891			16	19.5
50	20	165		99	125	230	115	107										18	21.5
65	22	185	18 (8x)	118	145	290	145	138	162	278.5			>737	342			>917	29	32.5
80	24	200		132	160	310	155	150	170	286.5			>745	350			>925	35	38.5
100		235	22 (8x)	156	190	350	175	173	180	296.5	>755	360	>935	52	55.5				
125	26	270	26 (8x)	184	220	400	200	195	200	316.5	>775	380	>955	74.5	78				
150	28	300		211	250	480	240	219	225	341.5	>800	405	>980	110	113.5				

DN = Nominal size

H = Total actuator height plus minimum distance to the wall or the ceiling for mounting, connection, operation, maintenance etc.

H1 = Dimension from the pipe centre to install the actuator (upper edge)

H2 = Valve in the «Closed» position means that the valve stem is fully extended

## Spare parts

### Order numbers for spare parts

Product number	DN	Sealing gland			Set	
		VVF61..	VVF61..2	VVF61..	VVF61..	VVF61..2
VVF61.09	15	4 284 8829 0				
VVF61.10	15	4 284 8829 0				
VVF61.11	15	4 284 8829 0				
VVF61.12	15	4 284 8829 0			74 676 0159 0	
VVF61.13	15	4 284 8829 0	4 284 8829 0		74 676 0156 0	
VVF61.14	15	4 284 8829 0	4 284 8829 0		74 676 0157 0	
VVF61.15	15	4 284 8829 0	4 284 8829 0		74 676 0158 0	
VVF61.23	25	4 284 8829 0	4 284 8829 0		74 676 0033 0	
VVF61.24	25	4 284 8829 0	4 284 8829 0		74 676 0032 0	
VVF61.25	25	4 284 8829 0	4 284 8829 0		74 676 0031 0	
VVF61.39	40		4 284 8829 0	4 679 5630 0	74 676 0067 0	74 676 0095 0
VVF61.40	40		4 284 8829 0	4 679 5630 0	74 676 0068 0	74 676 0096 0
VVF61.49	50		4 284 8829 0	4 679 5630 0	74 676 0060 0	74 676 0076 0
VVF61.50	50		4 284 8829 0	4 679 5630 0	74 676 0061 0	74 676 0077 0
VVF61.65	65		4 284 8829 0	4 679 5630 0	74 676 0062 0	74 676 0078 0
VVF61.80	80		4 284 8829 0	4 679 5630 0	74 676 0063 0	74 676 0079 0
VVF61.90	100		4 284 8829 0	4 679 5630 0	74 676 0064 0	74 676 0080 0
VVF61.91	125		4 284 8829 0	4 679 5630 0	74 676 0065 0	74 676 0081 0
VVF61.92	150		4 284 8829 0	4 679 5630 0	74 676 0066 0	74 676 0082 0

### Revision numbers

Product number	Valid from rev. no.	Product number	Valid from rev. no.
VVF61.09	..04		
VVF61.10	..04		
VVF61.11	..04		
VVF61.12	..04		
VVF61.13	..04	VVF61.132	..04
VVF61.14	..04	VVF61.142	..04
VVF61.15	..04	VVF61.152	..04
VVF61.23	..04	VVF61.232	..04
VVF61.24	..04	VVF61.242	..04
VVF61.25	..04	VVF61.252	..04
VVF61.39	..02	VVF61.392	..02
VVF61.40	..02	VVF61.402	..02
VVF61.49	..02	VVF61.492	..02
VVF61.50	..02	VVF61.502	..02
VVF61.65	..02	VVF61.652	..02
VVF61.80	..02	VVF61.802	..02
VVF61.90	..02	VVF61.902	..02
VVF61.91	..02	VVF61.912	..02
VVF61.92	..02	VVF61.922	..02