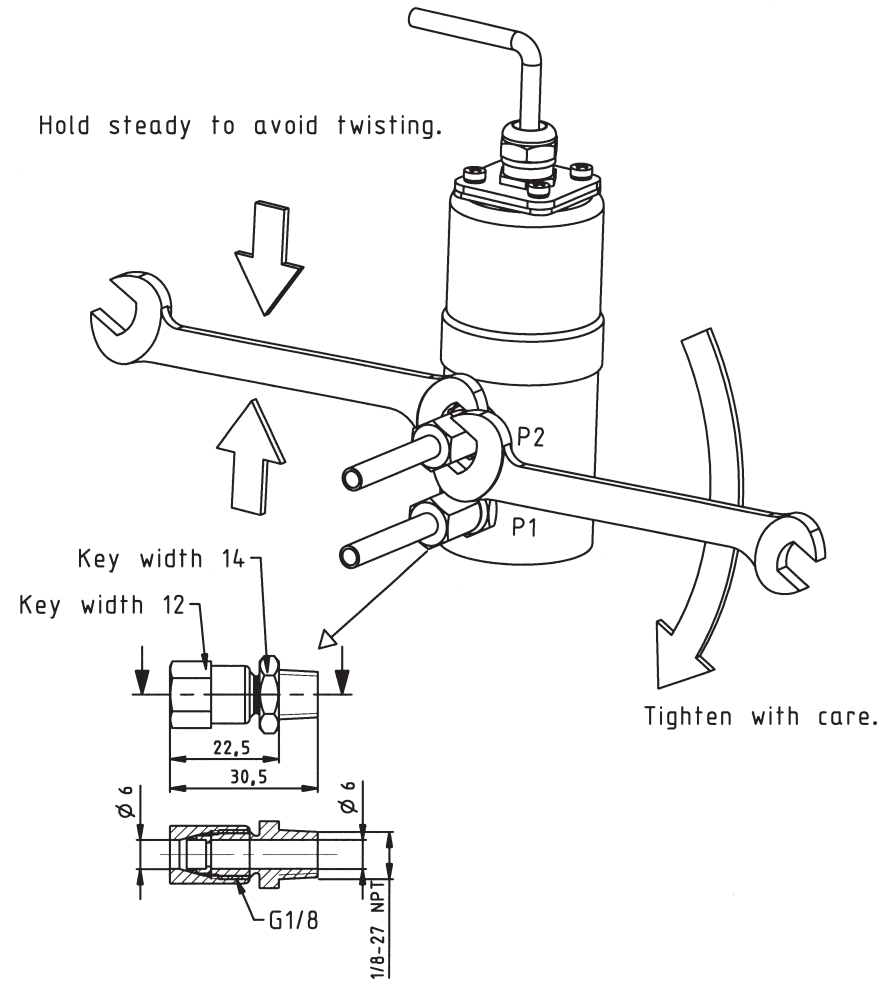




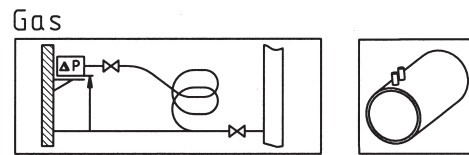
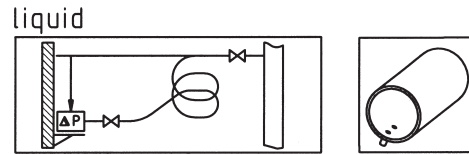
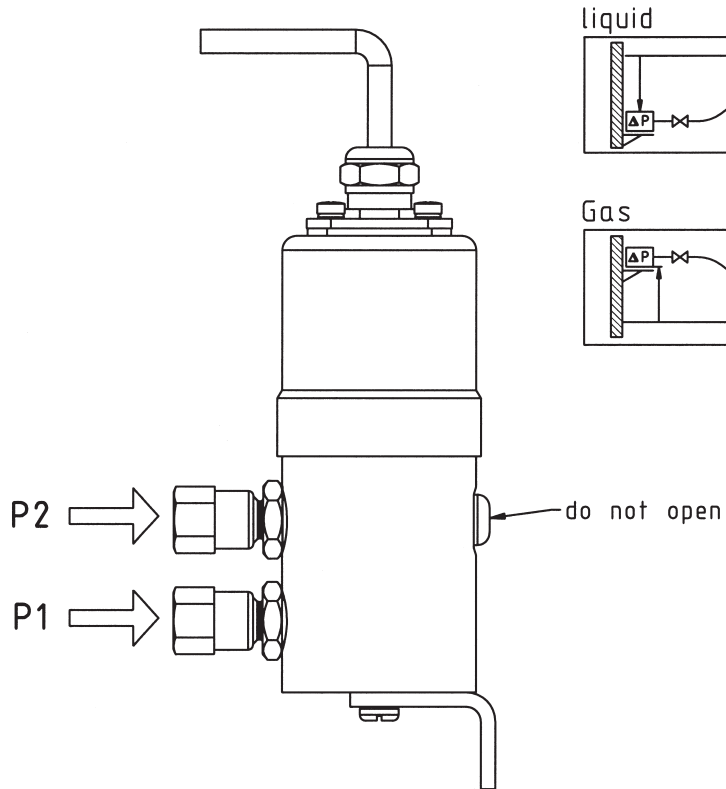
Fitting the connection tubes.

Hold steady to avoid twisting.



Installation arrangement

Unrestricted.

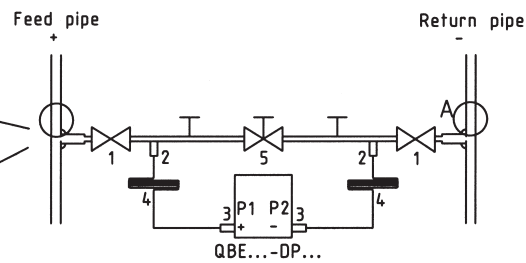
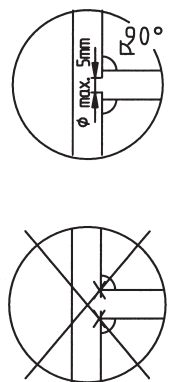


Electrical connection

brown	+	G
green	↗	U
white	0	M

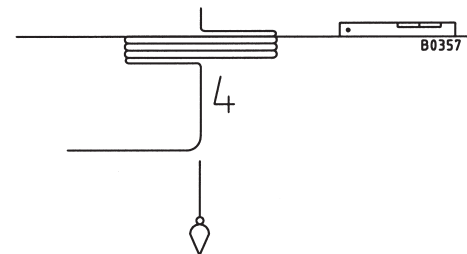
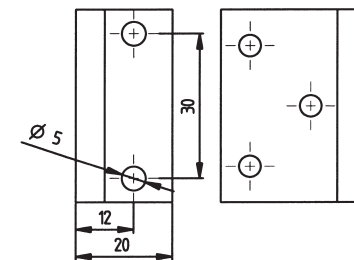
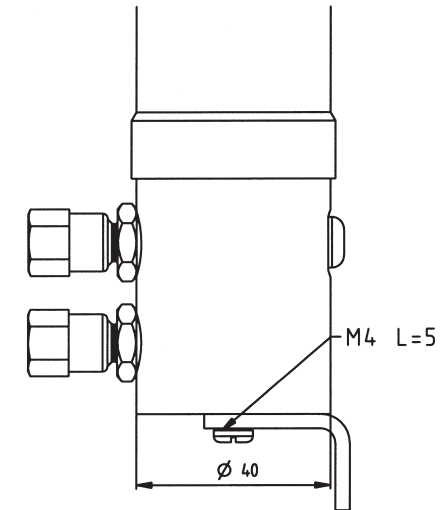
Mechanical connection

Recommended configuration



- Legend: A Measuring holes
 1 Tabs (SERTO SO 07100-6 SO 09904-4-8)
 2 Branch pipe (SERTO SO 0300-1/8)
 3 Connection nipple (from connetion set AQB 51.1)
 4 Cupper tube (from connection set AQB 51.1)
 5 Bypass pipe with stopcock

Mounting bracket



Drawing: Z2 Part: 692.siemens Date: 04-Feb-00 Time: 09:02 User: brigitte