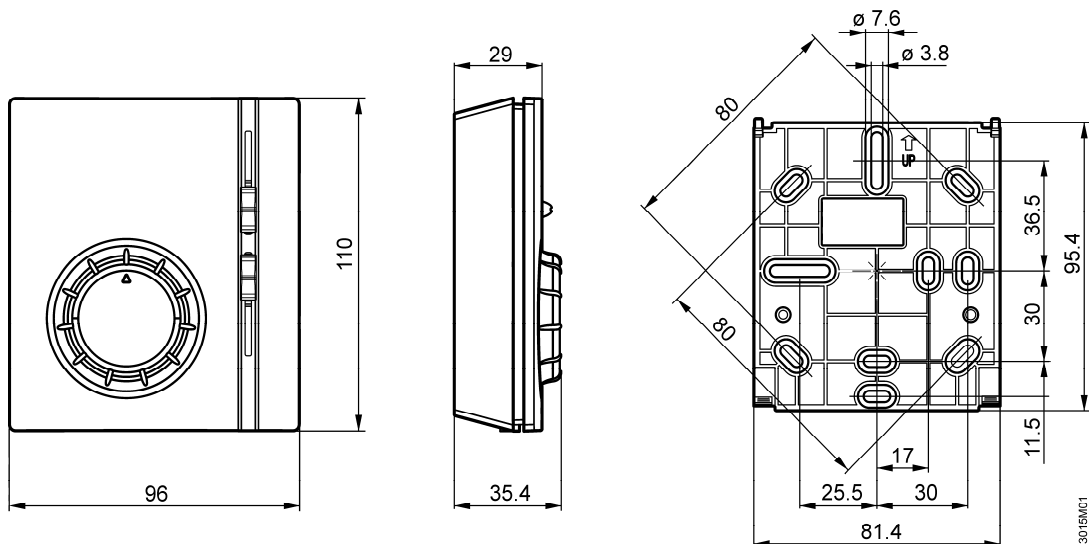
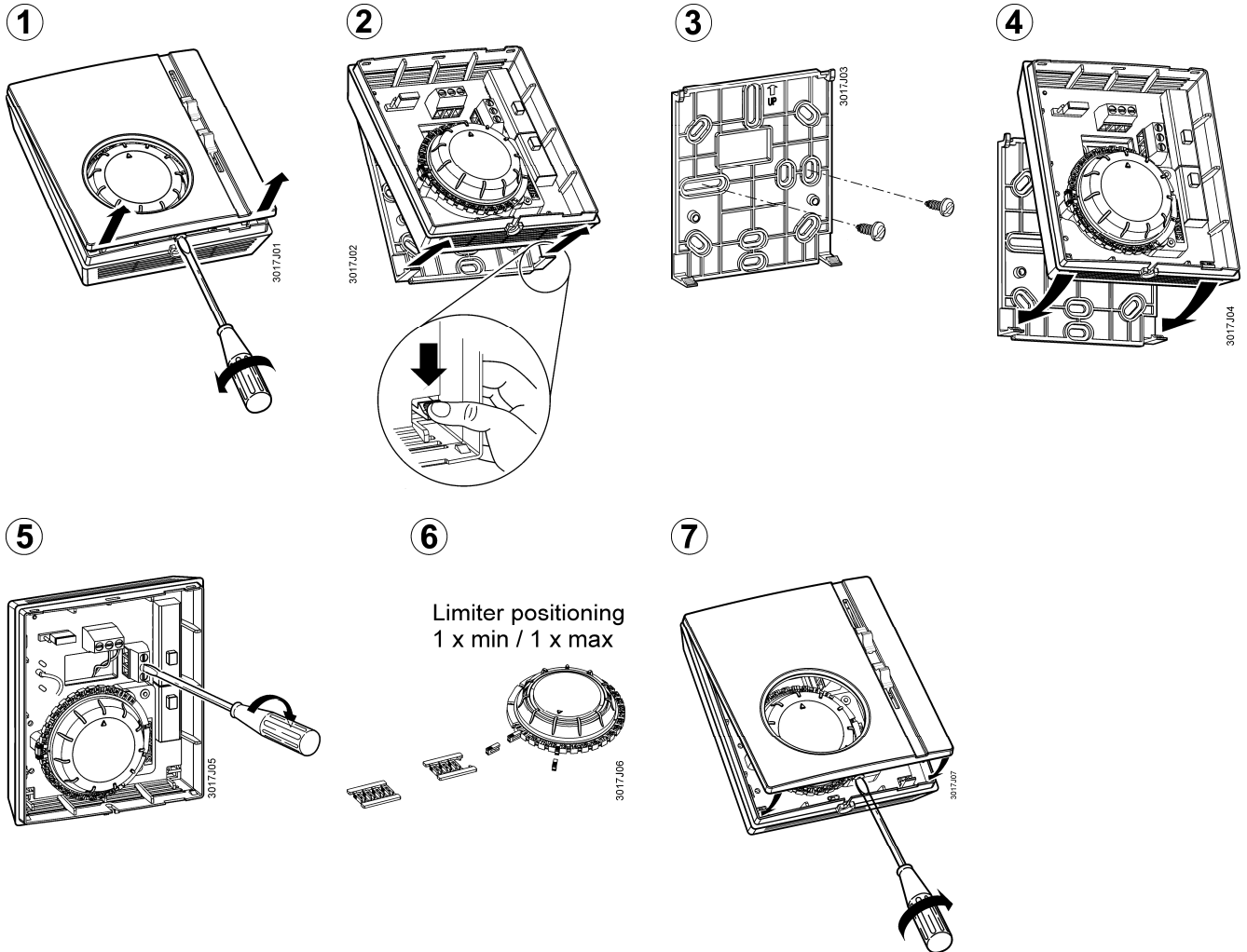


de Installationsanleitung
en Installation Instructions
fr Instructions d'installation
it Istruzioni di montaggio
nl Installatie-aanwijzing
zh 安装说明书

es Instrucciones de montaje
pt Instruções de montagem
sv Installationsanvisning
fi Asennusohje
da Installationsvejledning

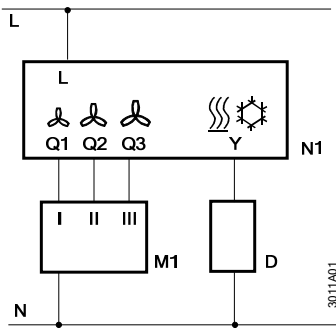
el Οδηγίες Εγκατάστασης
sk Návod na montáž
cs Montážní list
pl Instrukcja montażu
hu Telepítési leírás

RAB...



Dimensions in mm

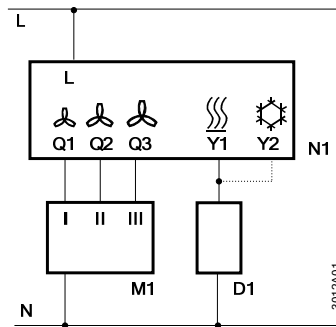
RAB11, RAB11.1



- L Switching voltage AC 250 V
- M1 3-speed fan
- N Neutral
- N1 Room thermostat
- Q1 Control output "Fan speed I", AC 250 V
- Q2 Control output "Fan speed II", AC 250 V
- Q3 Control output "Fan speed III", AC 250 V
- Y Control output "Valve actuator", AC 250 V
- D Zone valve or thermal valve

3011A01

RAB21, RAB21.1 Heating or Cooling

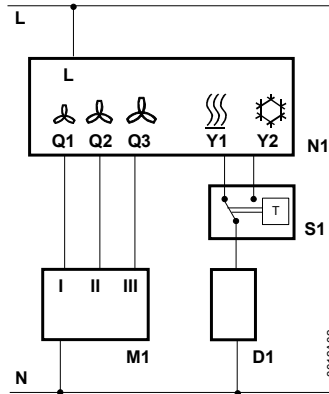


- D1 Zone valve or thermal valve for heating or cooling
- L Switching voltage AC 250 V
- M1 3-speed fan
- N Neutral
- N1 Room thermostat

3012A01

RAB21, RAB21.1

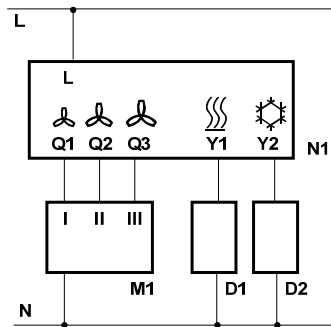
Changeover for heating or cooling with external aquastat



- Q1 Control output "Fan speed I", AC 250 V
- Q2 Control output "Fan speed II", AC 250 V
- Q3 Control output "Fan speed III", AC 250 V
- Y1 Control output "Valve actuator heating", AC 250 V
- Y2 Control output "Valve actuator cooling", AC 250 V
- S1 Aquastat e.g. Z182 / RYT182

3012A02

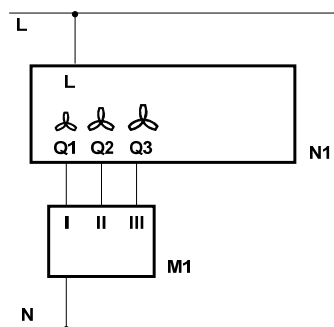
RAB31, RAB31.1



- D1 Zone valve or thermal valve for heating
- D2 Zone valve or thermal valve for cooling
- L Switching voltage AC 250 V
- M1 3-speed fan
- N Neutral
- N1 Room thermostat
- Q1 Control output "Fan speed I", AC 250 V
- Q2 Control output "Fan speed II", AC 250 V
- Q3 Control output "Fan speed III", AC 250 V
- Y1 Control output "Valve actuator heating", AC 250 V
- Y2 Control output "Valve actuator cooling", AC 250 V

3013A01

RAB91



- L Switching voltage AC 250 V
- M1 3-speed fan
- N Neutral
- N1 Room thermostat
- Q1 Control output "Fan speed I", AC 250 V
- Q2 Control output "Fan speed II", AC 250 V
- Q3 Control output "Fan speed III", AC 250 V