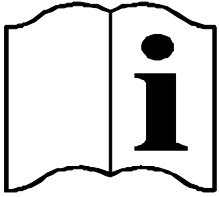
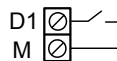
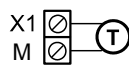
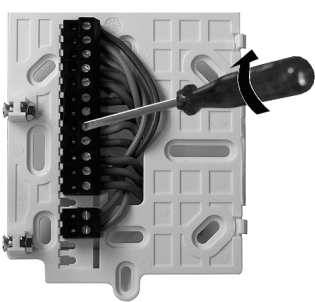
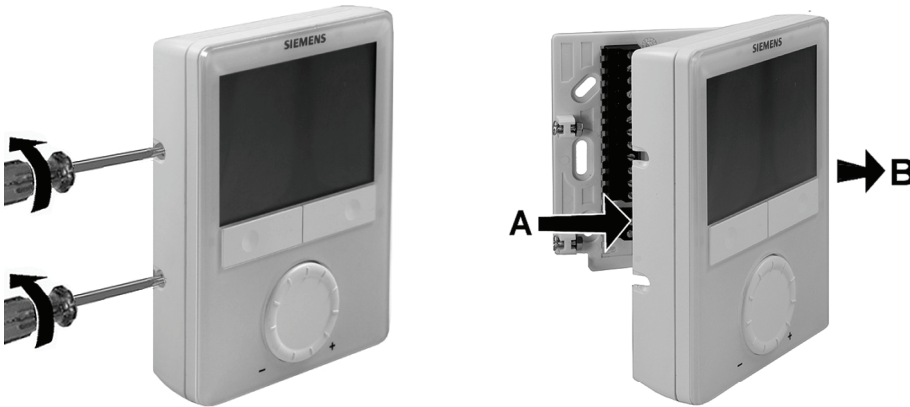
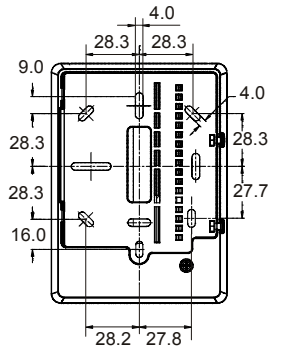
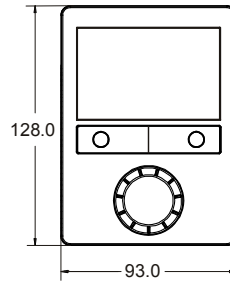
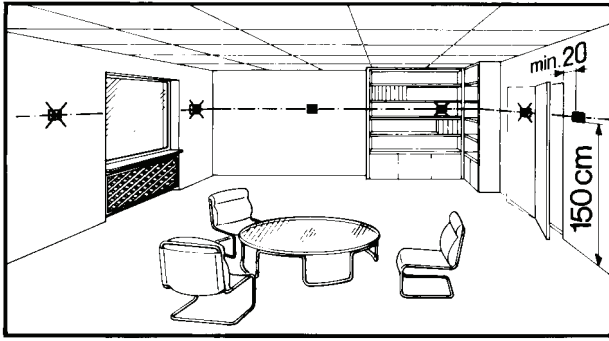


SIEMENS



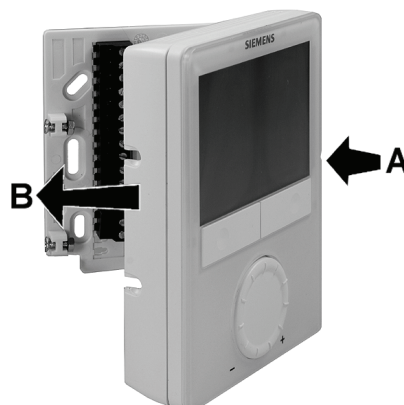
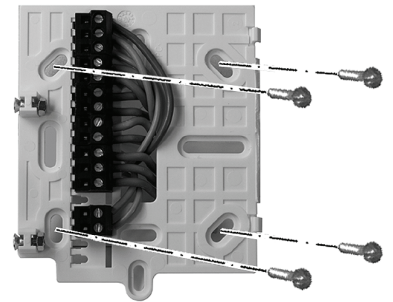
RDG400KN

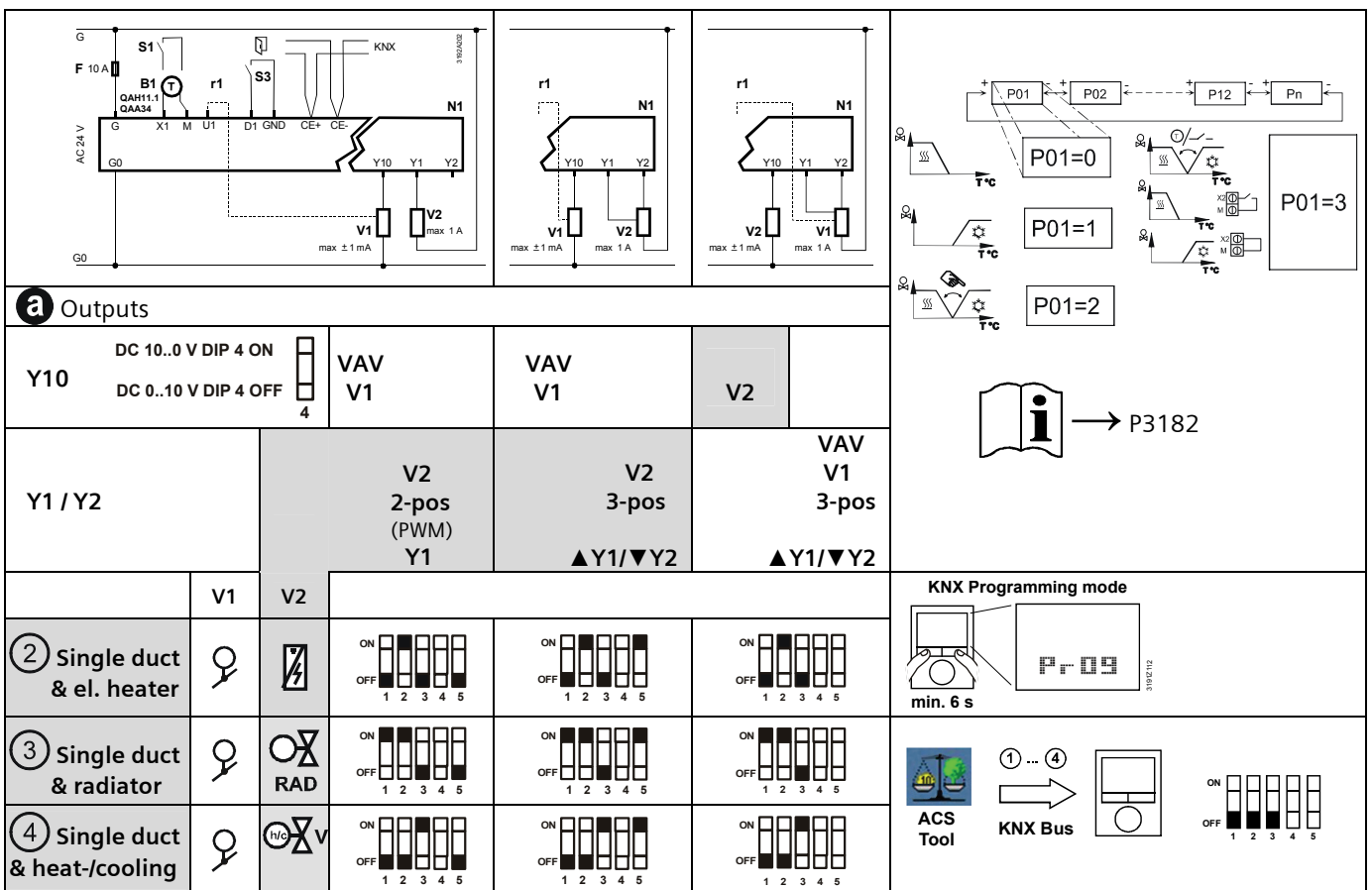
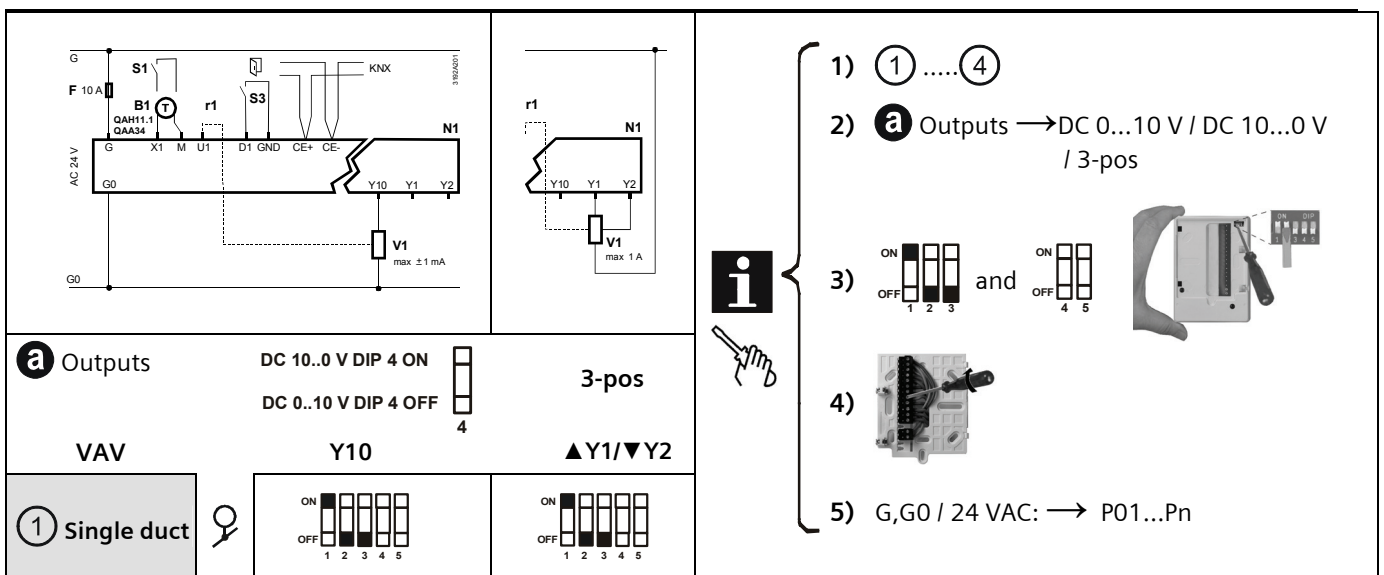


Feedback



3192Z112





| | en | de | fr | it | es | nl | tr |
|---|---------------------------------|----------------------------|---|--|---|---------------------------------|--------------------------------------|
| ① | Single duct | Einkanal | Monogaine | Monocondotto | Un conducto | Eénkanaals | Tek kanal |
| ② | Single duct & el. heater | Einkanal & elektr. Heizung | Monogaine & chauffage électrique | Monocondotto & batteria elettrica di riscaldamento | Un conducto & batería eléctrica | Eénkanaals + elektr. verwarmers | Tek kanal & Elk ısıtıcı |
| ③ | Single duct & radiator | Einkanal & Radiatorventil | Monogaine & radiateur | Monocondotto & radiatori | Un conducto & radiadores | Eénkanaals + radiator | Tek kanal & radyatör |
| ④ | Single duct & heating / cooling | Einkanal & Heizen / Kühlen | Monogaine & chauffage / refroidissement | Monocondotto & riscaldamento / raffreddamento | Un conducto & calefacción / refrigeración | Eénkanaals + verwarmen / koelen | Tek kanal & ısıtma soğutma bataryası |