

OpenAir™

## Accessories and Spare Parts for Air Damper Actuators

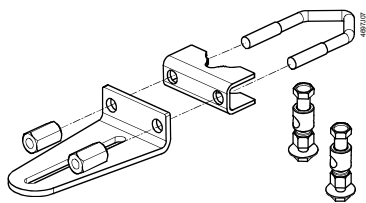
## ASC... ASK...

Overview, functions and applications for GMA and GEB

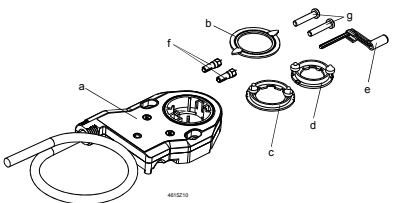
This overview provides a list of the accessories to functionally enhance the GMA and GEB air damper actuators as well as a list of the spare parts for the actuators.

Application examples and important dimensions are contained in the respective mounting installations (see document no.).

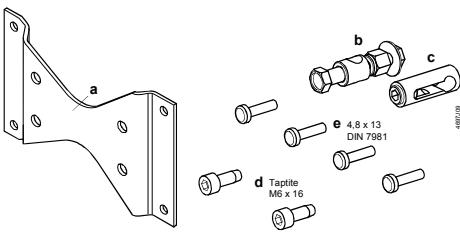
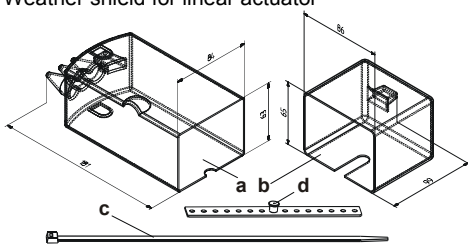
### Accessories for rotary actuators

| Type<br>Document no.<br>(Classific. no.)      | Designation / Delivery   | Application        |   |
|---|--|--------------------|---|
|   |  | Actuator           | Function  |
| <b>ASK71.9</b><br><br>7431902360<br>(M4614.1) | Universal lever<br><br> | GMA...1<br>GEB...1 | <ul style="list-style-type: none"> <li>To convert linear movement to rotary movement, for mounting on an adjacent acuator shaft</li> <li>Can be used in connection with ASK71.11, ASK71.13 and ASK71.14</li> <li>Ball joints for push rod of 8 mm diameter</li> </ul> |

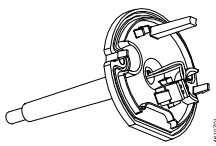
| Type<br>Document no.<br>(Classific. no.)       | Designation / Delivery                                  | Application  |   |
|--|---|--|---|
|  |   | Actuator   | Function  |
| <b>ASK71.11</b><br><br>7431902370<br>(M4614.2) | Rotary/linear set for duct and frame mounting<br><br>   | GMA...1<br>GEB...1                                       | <ul style="list-style-type: none"> <li>To convert rotary movement to linear movement for duct or frame mounting</li> <li>Ball joints for push rod of 8 mm diameter</li> </ul>   |
| <b>ASK71.13</b><br><br>7431902380<br>(M4614.3) | Rotary/linear set with lever<br><br>                    |  | <ul style="list-style-type: none"> <li>To convert rotary movement to linear movement. Suited for               <ul style="list-style-type: none"> <li>Direct duct or wall mounting of the actuator via rear mounting</li> <li>Damper mounting for actuator with additional rotary/linear function</li> </ul> </li> <li>Ball joints for push rod of 8 mm diameter</li> </ul> |
| <b>ASK71.14</b><br><br>7431902390<br>(M4614.4) | Rotary/linear set with lever and mounting plate<br><br> |  | <ul style="list-style-type: none"> <li>To convert rotary movement to linear movement</li> <li>Mounting the actuator on the mounting plate allows for actuator-side duct or frame mounting</li> <li>Ball joints for push rod of 8 mm diameter</li> </ul>   |
| <b>ASK73.3</b><br><br>743190241 0<br>(M4614.6) | Bracket for Powerpack<br><br>                           | GMA12..1<br>GMA32..1<br>GMA13..1<br>GEB13..1<br>GEB33..1 | <ul style="list-style-type: none"> <li>Locking element for two rotary actuators on the same shaft (tandem-mounted).</li> </ul>  |
| <b>ASK74.7</b>                                 | Shaft extension<br><br>                                 | GMA...1<br>GEB...1                                       | <ul style="list-style-type: none"> <li>For extending the drive shaft by up to approx. 240 mm.</li> <li>For drive shafts of 8...25.6 mm dia. or 6...18 mm square</li> <li>Minimum shaft length 40 mm</li> <li>Can not be used in connection with ASK73.3</li> </ul>  |
| <b>ASK75.3</b><br><br>7431902400<br>(M4614.5)  | Weather shield for rotary actuator<br><br>              |  | <ul style="list-style-type: none"> <li>Provides additional protection of the rotary actuator against dust and splashwater in the case of outdoor application.</li> <li>UV-resistant</li> </ul>  |
| <b>ASK75.6</b><br><br>7431906630<br>(M4614.8)  | Weather shield for rotary actuator<br><br>              |  | <ul style="list-style-type: none"> <li>Provides additional protection to rotary actuator and when mounting in any given position</li> </ul>   |

|   |  |                    |  |
|---|--|--------------------|--|
| <b>ASC77.1E</b><br><b>ASC77.2E</b><br><br>7431904130<br>(M4615) | External auxiliary switches<br><br> | GMA...1<br>GEB...1 | <ul style="list-style-type: none"> <li>• ASC77.1E (1 switch)</li> <li>• ASC77.2E (2 switches)</li> </ul> |
|---|--|--------------------|--|

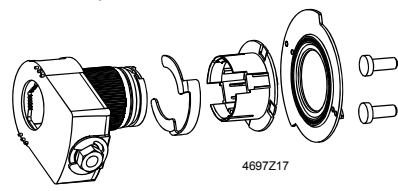
### Accessories for linear actuators

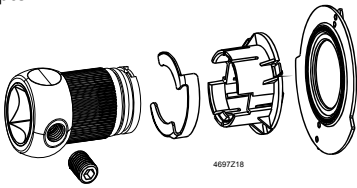

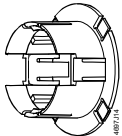
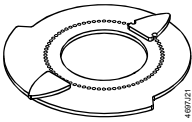
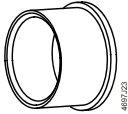
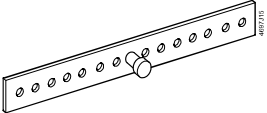
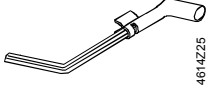
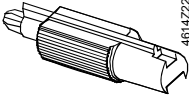

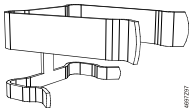
| Type<br>Document no.<br>(Classific. no.)      | Designation / Delivery   | Application |   |
|---|--|-------------|---|
|   |  | Actuator    | Function  |
| <b>ASK72.3</b><br><br>7431902420<br>(M4653.1) | Linear/rotary set with mounting plate<br><br> | GEB...2     | <ul style="list-style-type: none"> <li>• To convert linear movement into rotary movement</li> <li>• Mounting the actuator on the mounting plate allows for actuator-side frame or duct mounting</li> <li>• Linear limitation by adjusting the clamp on the push rod</li> <li>• Ball joints for push rod of 8 mm diameter</li> </ul> |
| <b>ASK75.6</b><br><br>7431906630<br>(M4614.8) | Weather shield for linear actuator<br><br>   |             | <ul style="list-style-type: none"> <li>• Provides additional protection to linear actuator and when mounting in any given position</li> </ul>   |

### Actuators for fire and smoke protection dampers

| Type<br>Document no.<br>(Classific. no.)                      | Designation / Delivery  | Application |  |
|---|---|-------------|--|
|   |   | Actuator    | Function   |
| <b>ASK79.4</b><br><b>ASK79.5</b><br><br>7431908350<br>(M4610) | Duct tip for temperature monitoring unit<br><br> | GNA..       | <ul style="list-style-type: none"> <li>• ASK79.4 ( 72 °C )</li> <li>• ASK79.5 ( 95 °C )</li> </ul> |

### Spare parts for rotary actuators

| Spare part no. | Designation / Delivery  | Application        |   |
|----------------|---|--------------------|---|
|                |   | Actuator           | Function  |
| 7471800080     | Standard shaft adapter<br><br> | GMA...1<br>GEB...1 | This shaft adapter is <ul style="list-style-type: none"> <li>• self-centering</li> <li>• suitable for shafts of 6.4...20.5 mm diameter</li> </ul> |

| Spare part no. | Designation / Delivery  | Application  |  |
|----------------|---|--|--|
|                |   | Actuator   | Function   |
| 7471800190     | Shaft adapter<br>                          | GMA...1<br>GEB...1   | 15 mm square   |
| 7471800200     |   |  | 12 mm square   |
| 7471800210     |   |  | 10 mm square   |
| 7471800220     |   |  | 8 mm square  |
| 7416500010     | Axial bracket<br>                          |  | Axial bracket to secure the shaft adapter in the actuator.   |
| 7448400090     | Plastic adapter for position indicator<br> |  | The plastic adapter is needed for short air damper shafts (< 20 mm). It is inserted into the shaft adapter and carries the position indicator. |
| 7430400000     | Position indicator<br>                     |  | The position indicator is clamped on the shaft adapter or the plastic adapter and serves to indicate the rotary angle of the air damper.       |
| 7428400420     | Plug indicator GS<br>                     |  | Plug indicator is used to fix position indicator (7430400000) on to plastic adapter (7448400090).  |
| 7419000130     | Mounting bracket<br>                     |  | The mounting bracket is used to prevent the actuator from twisting and is secured with 2 steel screws (4.8 x 13 mm, DIN 7981).                 |
| 7410900170     | Turnkey for manual adjustment<br>        | GMA...1  | Manual adjustment of the shaft adapter.  |
| 7410900130     | Adjustment tool<br>                      | GMA...4.1<br>GMA...6.1<br>GEB...4.1<br>GEB...6.1<br>GEB...4.2<br>GEB...6.2 | Adjustment tool for auxiliary switches, potentiometer and locking shaft.   |
| 418023780      | Screw taptite M6 x 16 mm<br>             | GMA...1<br>GEB...1   | Self-tapping screw to fasten the actuator on the mounting, duct or wall plate.   |
| 7421700030     | Fork clamp<br>                           |  | The fork clamp is used to prevent the actuator from twisting.  |