

FT2001-A1, F50F410

Sinteso™
Cerberus™ PRO

Mimic display driver, LED flat cable

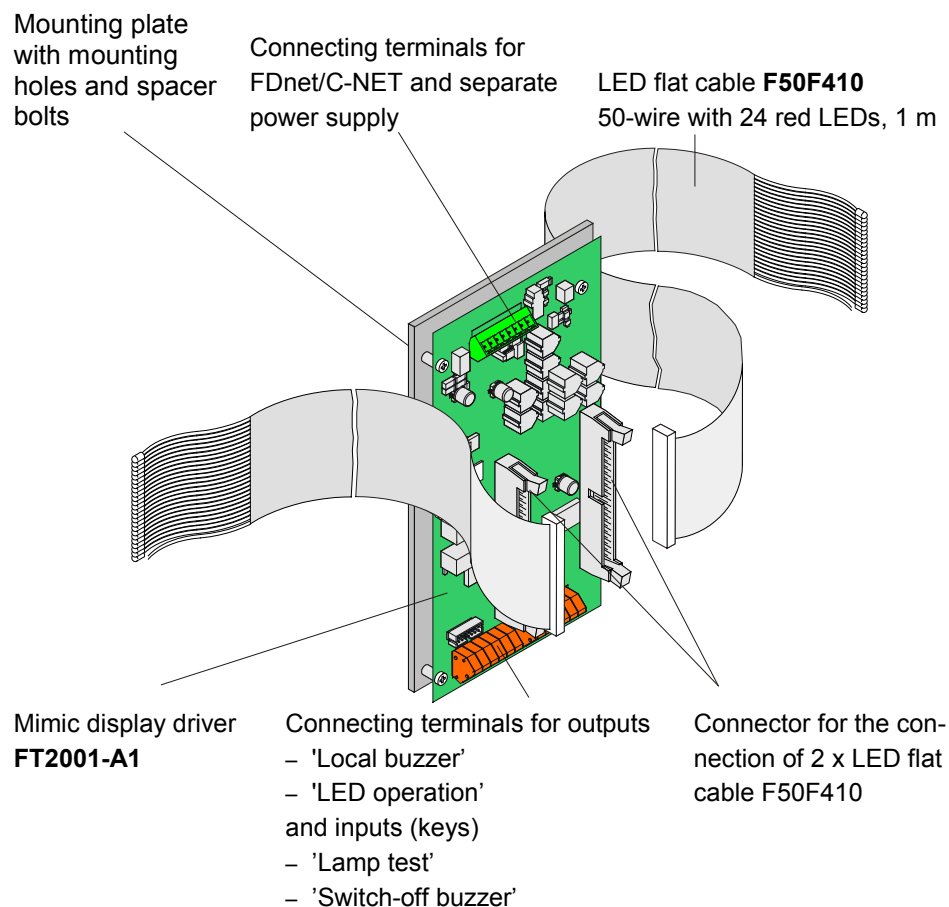


FDnet/C-NET device

-
- Mimic display driver as FDnet/C-NET device for use with the addressable Sinteso FS20 and Cerberus PRO FS720 fire detection system
 - LED flat cable 50-wires with 24 red LEDs, length 1.0 m
 - Communication via FDnet/C-NET (individual addressing)
 - Power supply via FDnet/C-NET, additional 24 V power supply possible
 - The Mimic display driver board is built into the mimic panel housing

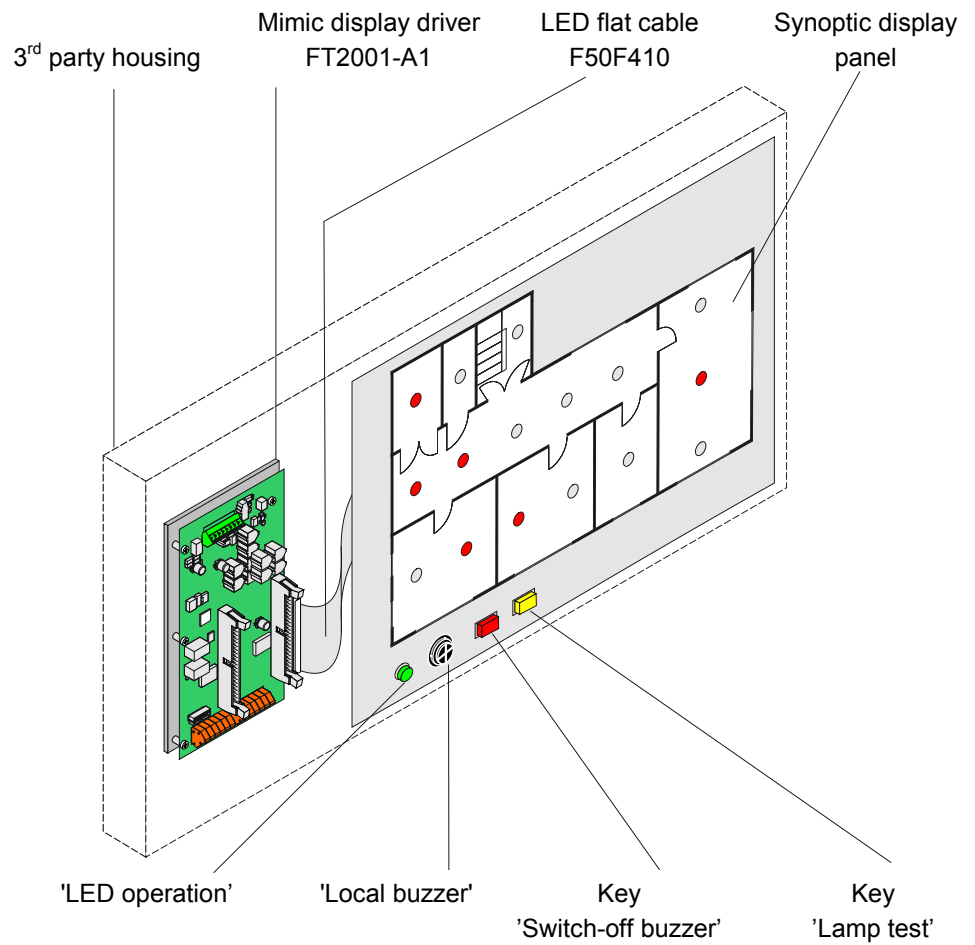
Characteristics mimic display driver FT2001-A1

- Communication via FDnet/C-NET and can be operated in loops or in stub lines
- 2x24 outputs for LED activation for mimic display panels
- Connection to LED via flat cable F50F410 (50-wire, 24 red LEDs, cable length 1 m, must be ordered separately)
- 2 control outputs for 'Local buzzer' and 'LED operation'
- 2 inputs for 'Switch-off buzzer' and 'Lamp test'
- Integrated line separator
- Separate 24 V power supply possible
- MC-Link plug-in point for firmware update

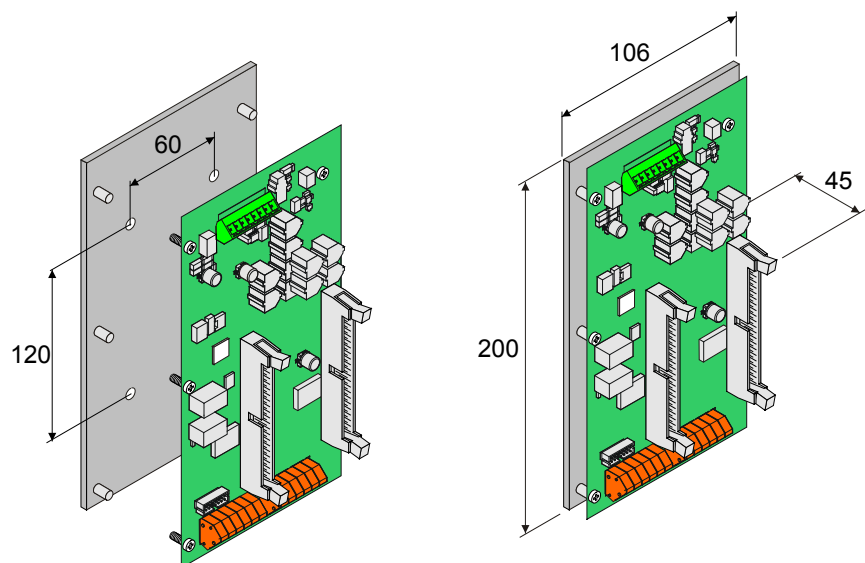


Application

The mimic display driver FT2001-A1 is built directly into the same housing as the synoptic display panel (sketch board).




Dimensions



Technical data

Operating voltage	DC 12...32 V
Operating current	max. 45 mA
Quiescent current	max. 5 mA
External supply input	DC 14...32 V, galvanically isolated AC 11...22 V, galvanically isolated
Outputs	
- 'LED operation'	max. 2.5 mA und DC 2.5 V
- 'Local buzzer'	max. 5 mA und DC 12 V
Operating temperature	0...40 °C
Storage temperature	-20...+60 °C
Humidity	≤95 % rel.
Communication protocol	FDnet/C-NET
Connection terminals	0.08...1.5 mm ²
Standard	EN 54-17, EN 54-18
Approvals	
- VdS	G208044
- LPCB	126aq/02
System compatibility	
- FDnet	FS20
- C-NET	FS720

08  0786	FT2001-A1	Siemens Switzerland Ltd, Gubelstrasse 22 CH-6301 Zug, Switzerland Technical data: see doc. A6V10082691
FT2001 - Input/output device incl. short-circuit isolator for use in fire detection and fire alarm systems installed in buildings		
305/2011/EU (CPR): EN 54-17 / EN 54-18 ; 2004/108/EC (EMC): EN 50130-4 / EN 61000-6-3 ; 2011/65/EU (RoHS): EN 50581 ;		
Declared performance and conformity can be seen in the Declaration of Performance and the EC Declaration of Conformity, which is obtainable via the Customer Support center: Tel. +49 89 9221-8000 or http://siemens.com/bt/download		
DoP No.: 0786-CPR-20378; DoC No.: CED-FT2001		

Details for ordering

Type	Part no	Designation	Weight
FT2001-A1	A5Q00014417	Mimic display driver	0.232 kg
F50F410	BPZ:5291410001	LED flat cable 50-wire	0.108 kg

Siemens Switzerland Ltd
Industry Sector
Building Technologies Division
International Headquarters
Fire Safety & Security Products
Gubelstrasse 22
CH-6301 Zug
Tel. +41 41 724 24 24
www.siemens.com/buildingtechnologies

© 2014 Copyright by
Siemens Switzerland Ltd
Data and design subject to change without notice.
Supply subject to availability.